

**International Gravity Sports Association**

**Event:** Podova Grand Prix      **Promoter:** Rollclub Scuola di Pattinaggio  
**Location:** Teolo, Italy      **Chief Steward:** Marcus Rietema  
**Date:** July 29-30, 2010      **Starter:** Guillaume Gansert  
**Event Level:** World Cup      **Track Conditions:** Dry  
**Weather:** Warm 25C      **Course Length:** 1.6km

**Downhill Skateboard Qualifying**

<b>Pos</b>	<b>No.</b>	<b>Surname</b>	<b>First Name</b>	<b>Nat.</b>	<b>Run #1</b>	<b>Run #2</b>	<b>Best</b>
1	13	Konigshausen	Ramon	SUI	1:59.821	1:57.888	1:57.888
2	3	Switzer	Patrick	CAN	2:01.685	1:58.561	1:58.561
3	55	Silva	Douglas	BRA	2:00.876	1:59.785	1:59.785
4	140	Kowalski	Dominik	GER	2:01.236	2:00.222	2:00.222
5	11	Shapiera	Jackson	AUS	2:01.414	2:15.428	2:01.414
6	37	Chapman	Andrew	CAN	2:01.757	2:02.941	2:01.757
7	1	Erban	Mischo	CAN	2:02.516	2:01.761	2:01.761
8	120	Dean	Danky	BRA	2:06.281	2:01.789	2:01.789
9	64	Robert	Nicolas	SUI	2:01.808	3:09.919	2:01.808
10	104	Melo	Luke	CAN	2:01.919	2:03.137	2:01.919
11	128	Fuchs	Bruno	SUI	2:03.293	2:01.935	2:01.935
12	2	Smith	Scoot	CAN	2:02.153	2:17.210	2:02.153
13	10	Batt	Christoph	SUI	2:12.155	2:02.288	2:02.288
14	114	Barnet	John	CAN	2:02.465	2:03.347	2:02.465
15	17	Leeson	Corey	AUT	2:04.983	2:02.807	2:02.807
16	8	Rufli	Stefan	SUI	2:04.244	2:02.857	2:02.857
17	24	Sandberg	Robin	NOR	2:03.475	2:03.169	2:03.169
18	39	D'Elia Martin	Alexander	ESP	2:03.252	2:03.524	2:03.252
19	29	Bethus	Yoann	FRA	2:03.997	2:03.267	2:03.267
20	125	Ebel	Matthias	GER	2:06.099	2:03.577	2:03.577
21	18	Uhlmann	Frank	SUI	2:04.036	2:03.729	2:03.729
22	170	Simonsen	Johan Wendt	SWE	2:05.178	2:03.846	2:03.846
23	109	Wildash	Merrick	AUT	2:07.453	2:04.061	2:04.061
24	127	Jørundland	Trygve Flebu	NOR	2:05.144	2:04.128	2:04.128
25	135	Horthe runtemanne	Alexander	NOR	2:04.596	2:04.895	2:04.596
26	106	Readings	Justin	CAN	2:08.057	2:04.818	2:04.818
27	158	Poletto	Masimo	ITA	2:06.085	2:05.117	2:05.117
28	23	Labarthe	Yvon	SUI	2:05.168	2:06.167	2:05.168
29	116	Bouaich	Kevin	SUI	2:25.593	2:05.191	2:05.191
30	123	Dehmel	Olli	GER	2:05.293	2:44.464	2:05.293
31	153	Monroe	Sean	GER	2:06.302	2:05.322	2:05.322
32	167	Ulrich	Alexandre	FRA	DNS	2:05.883	2:05.883
33	146	McGown	Landon	CAN	2:05.936	2:16.648	2:05.936
34	110	Aldinger	Patrick	GER	2:06.376	2:06.267	2:06.267
35	121	Dehmel	Alex	GER	2:10.679	2:06.349	2:06.349
36	130	Gallimo	Aleix	ESP	2:11.156	2:06.764	2:06.764
37	31	Yamba	Julien	FRA	2:07.265	2:06.805	2:06.805
38	42	Risch	Stephan	GER	2:19.174	2:07.528	2:07.528
39	91	Courtois	Thibeault	FRA	2:08.012	2:07.859	2:07.859
40	108	Wangsten	Fredrik	SWE	2:08.765	2:08.222	2:08.222
41	145	Maxeiner	Tim	GER	2:08.374	2:09.546	2:08.374
42	138	Jordana	Vincent	FRA	2:08.414	2:08.385	2:08.385
43	101	Conan	Pierre	FRA	2:08.598	2:08.972	2:08.598
44	112	Baradoy	Ross	SUI	2:08.821	2:14.652	2:08.821
45	148	Meyer	Christian	GER	2:43.867	2:08.881	2:08.881
46	137	Kejr	Jaroslav	CZE	2:08.972	2:11.103	2:08.972
47	162	Sagedahl	Adam	DEN	2:09.133	2:29.413	2:09.133
48	58	Leupold	Konrad	GER	2:09.285	2:09.724	2:09.285

**International Gravity Sports Association**

<b>Event:</b>	Podova Grand Prix	<b>Promoter:</b>	Rollclub Scuola di Pattinaggio
<b>Location:</b>	Teolo, Italy	<b>Chief Steward:</b>	Marcus Rietema
<b>Date:</b>	July 29-30, 2010	<b>Starter:</b>	Guillaume Gansert
<b>Event Level:</b>	World Cup	<b>Track Conditions:</b>	Dry
<b>Weather:</b>	Warm 25C	<b>Course Length:</b>	1.6km

**Downhill Skateboard Continued Qualifying**

Pos	No.	Surname	First Name	Nat.	Run #1	Run #2	Best
49	151	Cerney	Michal	CZE	2:14.129	2:09.375	2:09.375
50	141	Krimm	Johannes	GER	2:10.564	2:09.673	2:09.673
51	165	Slaughter	Oliver	GBR	2:09.803	2:11.204	2:09.803
52	105	Piton	Gabin	FRA	2:11.005	2:10.015	2:10.015
53	134	Hawes	Daniel	AUS	2:10.752	2:10.069	2:10.069
54	152	Moe	Lasse	NOR	2:10.635	2:12.104	2:10.635
55	115	Bassler	Sebastian	GER	2:10.802	2:14.493	2:10.802
56	160	Roguljic	Adam	CZE	2:10.823	2:18.315	2:10.823
57	163	Saputera	David	GER	2:11.647	2:12.739	2:11.647
58	149	Velharticky	Michal	CZE	2:12.473	2:11.957	2:11.957
59	131	Gamby	Pierre	FRA	2:23.394	2:12.231	2:12.231
60	159	Rogbrant	Fredrik	SWE	2:15.182	2:12.391	2:12.391
61	171	Yages Rodrigues	Carlos	ESP	2:12.606	2:16.972	2:12.606
62	155	Novoa Ray	Gerardo	ESP	2:13.169	2:12.827	2:12.827
63	142	Larsson	Albin	SWE	2:16.334	2:13.381	2:13.381
64	175	Palpacelli	Federico	ITA	2:14.015	2:21.571	2:14.015
65	129	Gabinus	Henrik	SWE	2:15.467	2:14.057	2:14.057
66	174	Bougourd (F)	Marie	FRA	2:16.852	2:14.370	2:14.370
67	164	Serrat Agboton	Axel	ESP	2:28.111	2:14.409	2:14.409
68	113	Barboni	Federico	ITA	2:14.937	2:22.063	2:14.937
69	156	Pedron	Leonardo	ITA	2:22.777	2:15.481	2:15.481
70	124	Drouault	Quentin	FRA	2:30.274	2:16.213	2:16.213
71	132	Garcia	Adria	ESP	2:26.353	2:17.383	2:17.383
72	118	Broberg	Jesper	SWE	2:21.277	2:18.875	2:18.875
73	107	Torasso	Andrea	ITA	2:19.509	2:19.890	2:19.509
74	111	Arcia	Benjamin	USA	2:21.554	2:21.081	2:21.081
75	173	Salacova (F)	Lenka	CZE	2:21.325	2:47.917	2:21.325
76	168	Vasile Sergiu	Manea	ROU	2:29.822	2:27.455	2:27.455
77	119	Buzzola	Davide	ITA	2:28.402	2:27.690	2:27.690
78	126	Ekbäck	Albin	SWE	2:32.385	2:27.785	2:27.785
79	50	Serek	Michael	AUT	2:30.233	2:31.529	2:30.233
80	102	Dubois	Quinn	CAN	2:32.945	2:31.312	2:31.312
81	139	Karlberg	Mattias	SWE	2:51.662	2:38.074	2:38.074

**Women Downhill Skateboard Qualifying**

Pos	No.	Surname	First Name	Nat.	Run #1	Run #2	Best
1	174	Bougourd	Marie	FRA	2:16.852	2:14.370	2:14.370
2	173	Salacova	Lenka	CZE	2:21.325	2:47.917	2:21.325

**Junior 1 Downhill Skateboard Qualifying (Age 8-13)**

Pos	No.	Surname	First Name	Nat.	Run #1	Run #2	Best
1	102	Dubois	Quinn	CAN	2:32.945	2:31.312	2:31.312

**Junior 2 Downhill Skateboard Qualifying (Age 14-17)**

Pos	No.	Surname	First Name	Nat.	Run #1	Run #2	Best
1	104	Melo	Luke	CAN	2:01.919	2:03.137	2:01.919
2	109	Wildash	Merrick	AUT	2:07.453	2:04.061	2:04.061
3	106	Readings	Justin	CAN	2:08.057	2:04.818	2:04.818

**International Gravity Sports Association**

**Event:** Podova Grand Prix      **Promoter:** Rollclub Scuola di Pattinaggio  
**Location:** Teolo, Italy      **Chief Steward:** Marcus Rietema  
**Date:** July 29-30, 2010      **Starter:** Guillaume Gansert  
**Event Level:** World Cup      **Track Conditions:** Dry  
**Weather:** Warm 25C      **Course Length:** 1.6km

**Junior 2 Downhill Skateboard Continued Qualifying**

Pos	No.	Surname	First Name	Nat.	Run #1	Run #2	Best
4	108	Wangsten	Fredrik	SWE	2:08.765	2:08.222	2:08.222
5	101	Conan	Pierre	FRA	2:08.598	2:08.972	2:08.598
6	105	Piton	Gabin	FRA	2:11.005	2:10.015	2:10.015
7	159	Rogbrant	Fredrik	SWE	2:15.182	2:12.391	2:12.391
8	129	Gabinus	Henrik	SWE	2:15.467	2:14.057	2:14.057
9	107	Torasso	Andrea	ITA	2:19.509	2:19.890	2:19.509

**Classic Luge Qualifying**

Pos	No.	Surname	First Name	Nat.	Run #1	Run #2	Best
1	50	Serek	Michael	AUT	2:00.598	2:01.376	2:00.598
2	231	Rubi	Maxime	FRA	2:04.335	2:00.915	2:00.915
3	23	Labarthe	Yvon	SUI	2:01.597	2:01.192	2:01.192
4	223	Santolmazza	Luca	ITA	2:03.032	2:01.652	2:01.652
5	300	Bossoto	Andrea	ITA	2:06.302	2:03.720	2:03.720
6	219	Pruhal	Fabien	FRA	2:06.486	2:03.932	2:03.932
7	303	Polese	Mattia	ITA	2:06.721	2:04.420	2:04.420
8	304	Weigl	Konstantin	AUT	DNS	2:04.711	2:04.711
9	113	Barboni	Federico	ITA	2:05.049	2:04.829	2:04.829
10	217	Parks	Kolby	CAN	2:07.076	2:04.961	2:04.961
11	116	Bouaich	Kevin	SUI	2:05.048	2:06.890	2:05.048
12	138	Jordana	Vincent	FRA	2:13.650	2:05.468	2:05.468
13	203	Condon	William	CAN	2:08.294	2:05.940	2:05.940
14	209	Gerber	Gregory	FRA	2:05.504	2:06.479	2:06.479
15	200	Bouchard-Pouliot	Louis-Etienne	CAN	2:06.678	2:06.823	2:06.678
16	10	Batt	Christoph	SUI	2:06.702	2:15.965	2:06.702
17	207	Eliot	Peter	GBR	DNS	2:07.259	2:07.259
18	225	Stephenson	William	GBR	2:09.283	2:07.374	2:07.374
19	211	Lavoie	Charles-Antoine (bob)	CAN	2:11.094	2:07.933	2:07.933
20	216	McBride	Chris	USA	2:08.615	2:08.306	2:08.306
21	301	Kinnish	Nicholas	GBR	2:10.998	2:09.187	2:09.187
22	228	Williams	James	CAN	2:12.001	2:09.506	2:09.506
23	112	Dubois	Quinn	CAN	DNS	2:31.279	2:31.279

**Street Luge Qualifying**

Pos	No.	Surname	First Name	Nat.	Run #1	Run #2	Best
1	23	Labarthe	Yvon	SUI	2:01.274	1:58.192	1:58.192
2	207	Eliot	Peter	GBR	2:01.853	1:59.292	1:59.292
3	223	Santolmazza	Luca	ITA	2:12.635	1:59.395	1:59.395
4	116	Bouaich	Kevin	SUI	2:01.576	2:00.050	2:00.050
5	226	Tarradas Miquel	Jan	ESP	2:00.314	2:01.107	2:00.314
6	231	Rubi	Maxime	FRA	2:00.957	2:01.210	2:00.957
7	203	Condon	William	CAN	2:01.598	2:01.195	2:01.195
8	225	Stephenson	William	GBR	2:01.295	2:01.878	2:01.295
9	217	Parks	Kolby	CAN	2:01.568	2:01.970	2:01.568
10	208	Frischauf	Alexander	AUT	2:02.235	2:02.109	2:02.109
11	212	Mahdzan	Abdil	MAS	2:03.857	2:02.261	2:02.261
12	209	Gerber	Gregory	FRA	2:02.415	2:02.519	2:02.415
13	200	Bouchard-Pouliot	Louis-Etienne (bob)	CAN	2:03.140	2:02.467	2:02.467

**International Gravity Sports Association**

**Event:** Podova Grand Prix      **Promoter:** Rollclub Scuola di Pattinaggio  
**Location:** Teolo, Italy      **Chief Steward:** Marcus Rietema  
**Date:** July 29-30, 2010      **Starter:** Guillaume Gansert  
**Event Level:** World Cup      **Track Conditions:** Dry  
**Weather:** Warm 25C      **Course Length:** 1.6km

**Street Luge Continued Qualifying**

<b>Pos</b>	<b>No.</b>	<b>Surname</b>	<b>First Name</b>	<b>Nat.</b>	<b>Run #1</b>	<b>Run #2</b>	<b>Best</b>
14	205	Demarco	Christian	SUI	2:02.578	2:03.591	2:02.578
15	219	Prual	Fabien	FRA	2:02.671	2:02.806	2:02.671
16	224	Sartori	Fabio	SUI	2:03.395	2:04.176	2:03.395
17	222	Robert	Cedric	SUI	2:03.589	2:03.494	2:03.494
18	211	Lavoie	Charles-Antoine (bob)	CAN	2:04.912	2:03.886	2:03.886
19	201	Bunsch	Lukas	POL	2:08.345	2:04.411	2:04.411
20	216	McBride	Chris	USA	2:04.918	2:05.988	2:04.918
21	214	Marcuello torralba	Gerard	ESP	2:06.866	2:05.220	2:05.220
22	228	Williams	James	GBR	2:05.324	2:06.548	2:05.324
23	213	Manso Espiot	Thomas	ESP	2:05.827	2:06.502	2:05.827
24	220	Ptak	Jacek	POL	2:06.567	2:06.017	2:06.017
25	204	De Pollo	Maurizio	ITA	2:09.001	2:07.852	2:07.852
26	221	Rapalino	Luca	ITA	DNS	2:08.436	2:08.436
27	210	Gilli	Vito Francesco	ITA	2:11.356	2:09.287	2:09.287
28	227	Valsania	Antonio	ITA	2:13.372	2:16.607	2:13.372
29	202	Byrd (F)	Hannah	GBR	2:13.423	2:13.578	2:13.423

**Downhill Inline Qualifying**

<b>Pos</b>	<b>No.</b>	<b>Surname</b>	<b>First Name</b>	<b>Nat.</b>	<b>Run #1</b>	<b>Run #2</b>	<b>Best</b>
1	445	Perna	Harry	FRA	1:52.986	1:50.754	1:50.754
2	407	Buxin	Cedric	FRA	1:53.843	1:51.209	1:51.209
3	424	Ladurner	Daniel	AUT	1:56.575	1:52.390	1:52.390
4	464	Vecchi	Angelo	ITA	1:53.197	1:52.735	1:52.735
5	467	Hali	Samir	MAR	1:56.050	1:52.749	1:52.749
6	437	Montavon	Christian	SUI	1:55.492	1:54.050	1:54.050
7	459	Tacchini	Davide	ITA	1:55.797	1:54.213	1:54.213
8	441	Norel	Moritz	GER	1:57.013	1:54.643	1:54.643
9	431	Lutz	Frank	AUT	1:55.870	1:55.186	1:55.186
10	450	Rouffiac	Jonathan	FRA	1:57.662	1:55.976	1:55.976
11	447	Poirier	Mathieu	FRA	1:58.688	1:56.066	1:56.066
12	466	Woehrl	Tobias	GER	1:56.283	1:56.239	1:56.239
13	462	Varin	Nicolas	FRA	1:56.264	1:57.617	1:56.264
14	406	Brichet	Mathieu	FRA	1:56.720	1:56.343	1:56.343
15	425	Ladurner	Werner	AUT	1:58.465	1:56.431	1:56.431
16	414	Dobler	Dominik	GER	1:56.552	2:00.311	1:56.552
17	446	Philippoteau (F)	Marjorie	FRA	1:58.748	1:56.748	1:56.748
18	432	Maissin	Kevin	FRA	1:57.060	1:57.600	1:57.060
19	403	Bavieri	Massimo	ITA	1:57.155	1:59.033	1:57.155
20	458	Stich	Kevin	GER	2:00.173	1:57.946	1:57.946
21	410	Christ Thomas (F)	Severine	FR	1:59.392	1:58.499	1:58.499
22	423	Jacquin	Regis	FRA	1:58.792	1:59.028	1:58.792
23	417	Frommlet	Theo	GER	2:01.318	1:59.265	1:59.265
24	455	Shirgi	Andreas	AUT	2:02.082	1:59.394	1:59.394
25	471	Dobler	Philipp	AUT	2:00.751	1:59.410	1:59.410
26	428	Le Van	Jean Baptiste	FRA	1:59.969	1:59.421	1:59.421
27	401	Amar	Mehdi	SUI	2:02.504	1:59.507	1:59.507
28	449	Rocha	Jerome	FRA	2:00.914	1:59.835	1:59.835
29	439	Neyret	Cyril	SUI	2:01.303	1:59.910	1:59.910

**International Gravity Sports Association**

<b>Event:</b>	Podova Grand Prix	<b>Promoter:</b>	Rollclub Scuola di Pattinaggio
<b>Location:</b>	Teolo, Italy	<b>Chief Steward:</b>	Marcus Rietema
<b>Date:</b>	July 29-30, 2010	<b>Starter:</b>	Guillaume Gansert
<b>Event Level:</b>	World Cup	<b>Track Conditions:</b>	Dry
<b>Weather:</b>	Warm 25C	<b>Course Length:</b>	1.6km

**Downhill Inline Continued Qualifying**

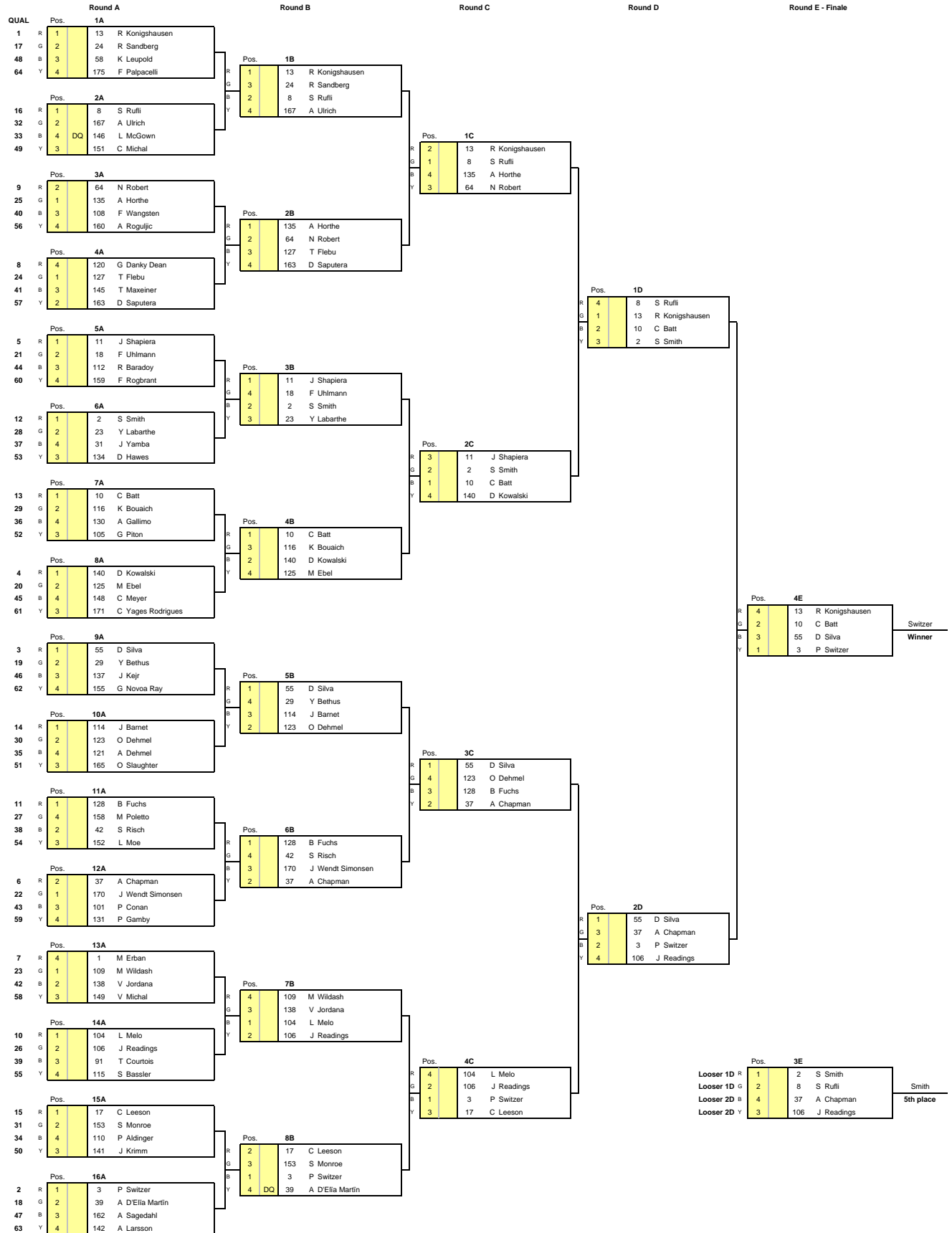
<b>Pos</b>	<b>No.</b>	<b>Surname</b>	<b>First Name</b>	<b>Nat.</b>	<b>Run #1</b>	<b>Run #2</b>	<b>Best</b>
30	453	Schreyer	Terry	SUI	2:01.486	2:00.320	2:00.320
31	418	Girin	Thierry	FRA	2:01.768	2:00.407	2:00.407
32	456	Spiegel	Alexander	AUT	2:02.871	2:01.265	2:01.265
33	400	Ahumada	Edouardo	CHI	2:02.110	2:01.919	2:01.919
34	463	Vaxelaire	Alexandre	FRA	2:03.164	2:01.953	2:01.953
35	443	Nocquet	Laurent	FRA	2:04.046	2:02.427	2:02.427
36	422	Izard	Xavier	FRA	2:05.768	2:02.490	2:02.490
37	454	Sheinberg	Ran	ISR	2:02.703	2:02.757	2:02.703
38	409	Cecchi	Franck	FRA	2:05.689	2:02.719	2:02.719
39	230	Lize	Gabriel	FRA	2:03.399	2:02.774	2:02.774
40	436	Minaev	Ilya	RUS	2:04.585	2:02.781	2:02.781
41	404	Berthelot	Mallory	FRA	2:02.978	2:03.222	2:02.978
42	411	Clais	Raoul	FRA	2:04.292	2:03.004	2:03.004
43	440	Nguyen	Hung	FRA	2:04.955	2:03.279	2:03.279
44	433	Manescu	Dragos	ROU	2:09.274	2:03.325	2:03.325
45	430	Liguori (F)	Valentina	ITA	2:03.464	2:05.307	2:03.464
46	472	Lehninger	Martin	AUT	2:06.858	2:03.540	2:03.540
47	426	Lahcen	Alexandre	FRA	2:04.957	2:03.681	2:03.681
48	470	Tureczec	Marcel	AUT	2:03.705	2:09.934	2:03.705
49	442	Norel	Udo	GER	2:07.941	2:03.773	2:03.773
50	434	Marchand (F)	Marie	FRA	2:04.255	2:03.938	2:03.938
51	420	Gonzalez	Daniel	SUI	2:05.809	2:04.023	2:04.023
52	468	Bucholzer (F)	Michelle	AUT	2:06.408	2:04.778	2:04.778
53	451	Sadoux (F)	Emilie	FRA	2:04.801	2:05.033	2:04.801
54	438	Morandi	Silvio	FRA	2:09.499	2:05.484	2:05.484
55	405	Bouchet	Cyril	FRA	2:09.045	2:05.508	2:05.508
56	469	Bucholzer	Martin	AUT	2:06.408	2:06.020	2:06.020
57	415	Ferhod	Djamel	FRA	2:10.059	2:07.468	2:07.468
58	444	Parent (F)	Staphanie	FRA	2:11.774	2:09.635	2:09.635
59	457	Stich	Axel	GER	2:19.456	2:14.976	2:14.976
60	413	Deloule	Albane	FRA	2:22.590	2:17.299	2:17.299
61	412	Damaville (F)	Lydie	FRA	2:24.641	2:21.984	2:21.984
62	416	Frey (F)	Renate	GER	2:27.657	2:23.812	2:23.812
63	427	Le Cosquer (F)	Solen	FRA	2:42.788	2:36.307	2:36.307

**International Gravity Sports Association**

**Event:** Podova Grand Prix  
**Location:** Teolo, Italy  
**Date:** August 1, 2010  
**Event Level:** World Cup  
**Weather:** Hot 30C

**Promoter:** Rollclub Scuola di Pattinaggio  
**Chief Steward:** Marcus Rietema  
**Starter:** Guillaume Gansert  
**Track Conditions:** Dry  
**Course Length:** 1.6km

**DOWNHILL SKATEBOARD**

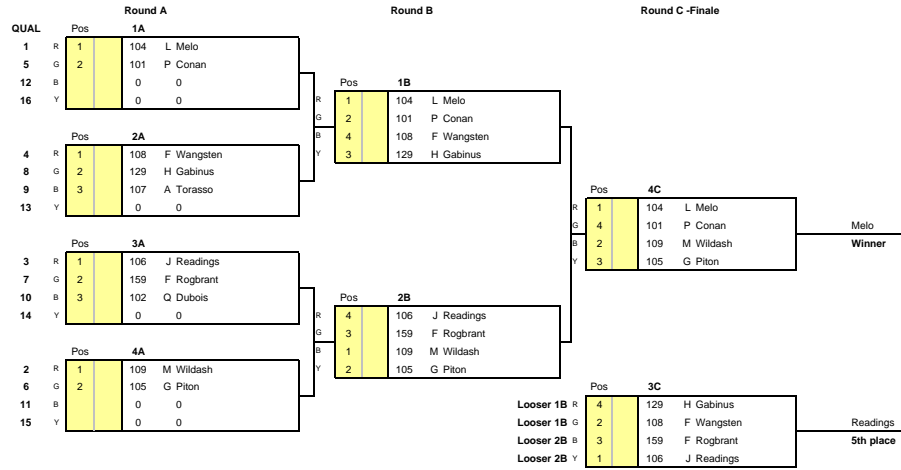


**International Gravity Sports Association**

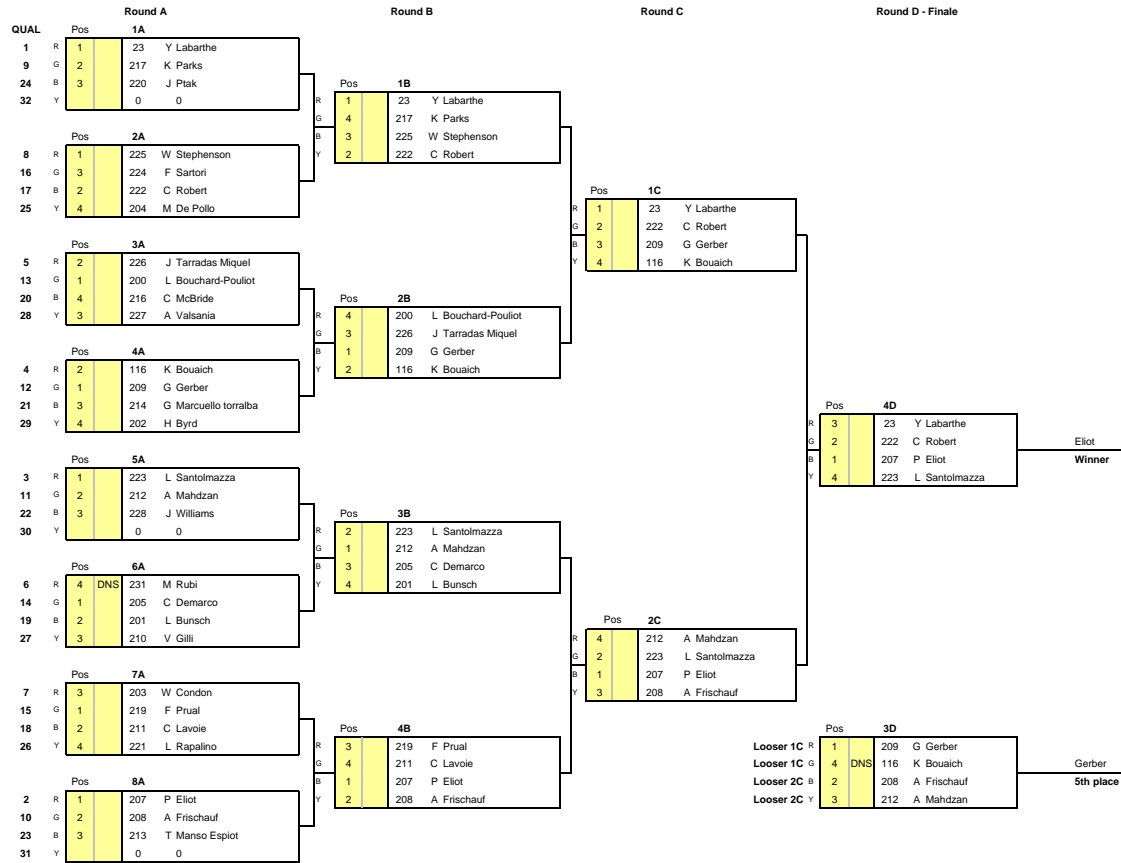
**Event:** Podova Grand Prix  
**Location:** Teolo, Italy  
**Date:** August 1, 2010  
**Event Level:** World Cup  
**Weather:** Hot 30C

**Promoter:** Rollclub Scuola di Pattinaggio  
**Chief Steward:** Marcus Rietema  
**Starter:** Guillaume Gansert  
**Track Conditions:** Dry  
**Course Length:** 1.6km

**JUNIOR 2 DOWNHILL SKATEBOARD**



**STREET LUGE**

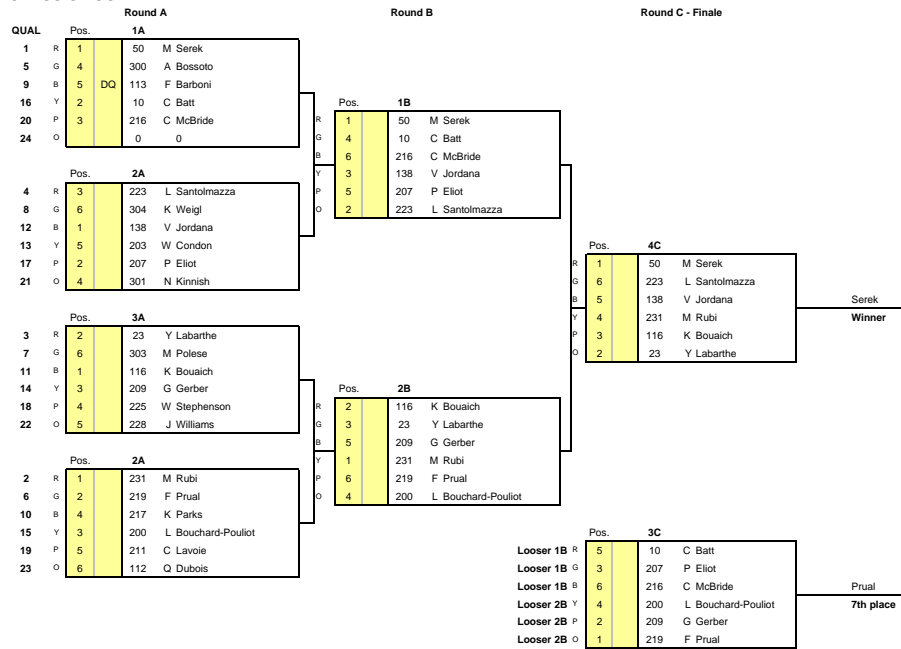


**International Gravity Sports Association**

**Event:** Podova Grand Prix  
**Location:** Teolo, Italy  
**Date:** August 1, 2010  
**Event Level:** World Cup  
**Weather:** Hot 30C

**Promoter:** Rollclub Scuola di Pattinaggio  
**Chief Steward:** Marcus Rietema  
**Starter:** Guillaume Gansert  
**Track Conditions:** Dry  
**Course Length:** 1.6km

**CLASSIC LUGE**



**International Gravity Sports Association**

**Event:** Podova Grand Prix **Promoter:** Rollclub Scuola di Pattinaggio  
**Location:** Teolo, Italy **Chief Steward:** Marcus Rietema  
**Date:** August 1, 2010 **Starter:** Guillaume Gansert  
**Event Level:** World Cup **Track Conditions:** Dry  
**Weather:** Hot 30C **Course Length:** 1.6km

**Downhill Skateboard Results**

<b>Pos</b>	<b>No.</b>	<b>Surname</b>	<b>First Name</b>	<b>Nat.</b>	<b>Best</b>	<b>Points</b>
1	3	Switzer	Patrick	CAN	1:58.561	450.00
2	10	Batt	Christoph	SUI	2:02.288	432.62
3	55	Silva	Douglas	BRA	1:59.785	424.37
4	13	Konigshausen	Ramon	SUI	1:57.888	416.84
5	2	Smith	Scoot	CAN	2:02.153	409.88
6	8	Rufli	Stefan	SUI	2:02.857	403.36
7	106	Readings	Justin	CAN	2:04.818	397.22
8	37	Chapman	Andrew	CAN	2:01.757	391.40
9	11	Shapiera	Jackson	AUS	2:01.414	385.84
10	64	Robert	Nicolas	SUI	2:01.808	380.52
11	128	Fuchs	Bruno	SUI	2:01.935	375.41
12	17	Leeson	Corey	AUT	2:02.807	370.49
13	140	Kowalski	Dominik	GER	2:00.222	365.74
14	104	Melo	Luke	CAN	2:01.919	361.13
15	135	Horthe runtemanne	Alexander	NOR	2:04.596	356.66
16	123	Dehmel	Olli	GER	2:05.293	352.32
17	114	Barnet	John	CAN	2:02.465	348.10
18	24	Sandberg	Robin	NOR	2:03.169	343.98
19	170	Simonsen	Johan Wendt	SWE	2:03.846	339.96
20	127	Jørundland	Trygve Flebu	NOR	2:04.128	336.03
21	23	Labarthe	Yvon	SUI	2:05.168	332.19
22	116	Bouaich	Kevin	SUI	2:05.191	328.43
23	153	Monroe	Sean	GER	2:05.322	324.75
24	138	Jordana	Vincent	FRA	2:08.385	321.14
25	29	Bethus	Yoann	FRA	2:03.267	317.59
26	125	Ebel	Matthias	GER	2:03.577	314.11
27	18	Uhlmann	Frank	SUI	2:03.729	310.69
28	109	Wildash	Merrick	AUT	2:04.061	307.33
29	167	Ulrich	Alexandre	FRA	2:05.883	304.02
30	42	Risch	Stephan	GER	2:07.528	300.77
31	163	Saputera	David	GER	2:11.647	297.56
32	39	D'Elia Martin	Alexander	ESP	2:03.252	294.40
33	91	Courtois	Thibeault	FRA	2:07.859	291.29
34	108	Wangsten	Fredrik	SWE	2:08.222	288.22
35	145	Maxeiner	Tim	GER	2:08.374	285.19
36	101	Conan	Pierre	FRA	2:08.598	282.20
37	112	Baradoy	Ross	SUI	2:08.821	279.25
38	137	Kejr	Jaroslav	CZE	2:08.972	276.34
39	162	Sagedahl	Adam	DEN	2:09.133	273.46
40	58	Leupold	Konrad	GER	2:09.285	270.62
41	151	Cerney	Michal	CZE	2:09.375	267.81
42	141	Krimm	Johannes	GER	2:09.673	265.04
43	165	Slaughter	Oliver	GBR	2:09.803	262.29
44	105	Piton	Gabin	FRA	2:10.015	259.58
45	134	Hawes	Daniel	AUS	2:10.069	256.89
46	152	Moe	Lasse	NOR	2:10.635	254.23
47	149	Velharticky	Michal	CZE	2:11.957	251.60
48	171	Yages Rodrigues	Carlos	ESP	2:12.606	249.00

**International Gravity Sports Association**

**Event:** Podova Grand Prix **Promoter:** Rollclub Scuola di Pattinaggio  
**Location:** Teolo, Italy **Chief Steward:** Marcus Rietema  
**Date:** August 1, 2010 **Starter:** Guillaume Gansert  
**Event Level:** World Cup **Track Conditions:** Dry  
**Weather:** Hot 30C **Course Length:** 1.6km

**Downhill Skateboard Continued Results**

<b>Pos</b>	<b>No.</b>	<b>Surname</b>	<b>First Name</b>	<b>Nat.</b>	<b>Best</b>	<b>Points</b>
49	1	Erban	Mischo	CAN	2:01.761	246.42
50	120	Dean	Danky	BRA	2:01.789	243.86
51	158	Poletto	Masimo	ITA	2:05.117	241.33
52	110	Aldinger	Patrick	GER	2:06.267	238.83
53	121	Dehmel	Alex	GER	2:06.349	236.34
54	130	Gallimo	Aleix	ESP	2:06.764	233.88
55	31	Yamba	Julien	FRA	2:06.805	231.44
56	148	Meyer	Christian	GER	2:08.881	229.02
57	115	Bassler	Sebastian	GER	2:10.802	226.63
58	160	Roguljic	Adam	CZE	2:10.823	224.25
59	131	Gamby	Pierre	FRA	2:12.231	221.89
60	159	Rogbrant	Fredrik	SWE	2:12.391	219.55
61	155	Novoa Ray	Gerardo	ESP	2:12.827	217.23
62	142	Larsson	Albin	SWE	2:13.381	214.93
63	175	Palpacelli	Federico	ITA	2:14.015	212.65
64	146	McGown	Landon	CAN	2:05.936	210.38
65	129	Gabinus	Henrik	SWE	2:14.057	208.13
66	174	Bougourd (F)	Marie	FRA	2:14.370	205.89
67	164	Serrat Agboton	Axel	ESP	2:14.409	203.68
68	113	Barboni	Federico	ITA	2:14.937	201.48
69	156	Pedron	Leonardo	ITA	2:15.481	199.29
70	124	Drouault	Quentin	FRA	2:16.213	197.12
71	132	Garcia	Adria	ESP	2:17.383	194.96
72	118	Broberg	Jesper	SWE	2:18.875	192.82
73	107	Torasso	Andrea	ITA	2:19.509	190.70
74	111	Arcia	Benjamin	USA	2:21.081	188.58
75	173	Salacova (F)	Lenka	CZE	2:21.325	186.49
76	168	Vasile Sergiu	Manea	ROU	2:27.455	184.40
77	119	Buzzola	Davide	ITA	2:27.690	182.33
78	126	Ekbäck	Albin	SWE	2:27.785	180.27
79	50	Serek	Michael	AUT	2:30.233	178.22
80	102	Dubois	Quinn	CAN	2:31.312	176.19
81	139	Karlberg	Mattias	SWE	2:38.074	174.17

**Women Downhill Skateboard Results**

<b>Pos</b>	<b>No.</b>	<b>Surname</b>	<b>First Name</b>	<b>Nat.</b>	<b>Best</b>	<b>Points</b>
1	174	Bougourd	Marie	FRA	2:14.370	450.00
2	173	Salacova	Lenka	CZE	2:21.325	432.62

**Junior 1 Downhill Skateboard Results (Age 8-13)**

<b>Pos</b>	<b>No.</b>	<b>Surname</b>	<b>First Name</b>	<b>Nat.</b>	<b>Best</b>	<b>Points</b>
1	102	Dubois	Quinn	CAN	2:31.312	450.00

**Junior 2 Downhill Skateboard Results (Age 14-17)**

<b>Pos</b>	<b>No.</b>	<b>Surname</b>	<b>First Name</b>	<b>Nat.</b>	<b>Best</b>	<b>Points</b>
1	104	Melo	Luke	CAN	2:01.919	450.00
2	109	Wildash	Merrick	AUT	2:04.061	432.62
3	105	Piton	Gabin	FRA	2:10.015	424.37

**International Gravity Sports Association**

**Event:** Podova Grand Prix **Promoter:** Rollclub Scuola di Pattinaggio  
**Location:** Teolo, Italy **Chief Steward:** Marcus Rietema  
**Date:** August 1, 2010 **Starter:** Guillaume Gansert  
**Event Level:** World Cup **Track Conditions:** Dry  
**Weather:** Hot 30C **Course Length:** 1.6km

**Junior 2 Downhill Skateboard Continued Results**

<b>Pos</b>	<b>No.</b>	<b>Surname</b>	<b>First Name</b>	<b>Nat.</b>	<b>Best</b>	<b>Points</b>
4	101	Conan	Pierre	FRA	2:08.598	416.84
5	106	Readings	Justin	CAN	2:04.818	409.88
6	108	Wangsten	Fredrik	SWE	2:08.222	403.36
7	159	Rogbrant	Fredrik	SWE	2:12.391	397.22
8	129	Gabinus	Henrik	SWE	2:14.057	391.40
9	107	Torasso	Andrea	ITA	2:19.509	385.84

**Classic Luge Results**

<b>Pos</b>	<b>No.</b>	<b>Surname</b>	<b>First Name</b>	<b>Nat.</b>	<b>Best</b>	<b>Points</b>
1	50	Serek	Michael	AUT	2:00.598	450.00
2	23	Labarthe	Yvon	SUI	2:01.192	432.62
3	116	Bouaich	Kevin	SUI	2:05.048	424.37
4	231	Rubi	Maxime	FRA	2:00.915	416.84
5	138	Jordana	Vincent	FRA	2:05.468	409.88
6	223	Santolmazza	Luca	ITA	2:01.652	403.36
7	219	Pruhal	Fabien	FRA	2:03.932	397.22
8	209	Gerber	Gregory	FRA	2:06.479	391.40
9	207	Eliot	Peter	GBR	2:07.259	385.84
10	200	Bouchard-Pouliot	Louis-Etienne (bob)	CAN	2:06.678	380.52
11	10	Batt	Christoph	SUI	2:06.702	375.41
12	216	McBride	Chris	USA	2:08.306	370.49
13	300	Bossoto	Andrea	ITA	2:03.720	365.74
14	217	Parks	Kolby	CAN	2:04.961	361.13
15	225	Stephenson	William	GBR	2:07.374	356.66
16	301	Kinnish	Nicholas	GBR	2:09.187	352.32
17	203	Condon	William	CAN	2:05.940	348.10
18	211	Lavoie	Charles-Antoine (bob)	CAN	2:07.933	343.98
19	228	Williams	James	CAN	2:09.506	339.96
20	303	Polese	Mattia	ITA	2:04.420	336.03
21	304	Weigl	Konstantin	AUT	2:04.711	332.19
22	112	Dubois	Quinn	CAN	2:31.279	328.43
23	113	Barboni	Federico	ITA	2:04.829	324.75

**Street Luge Results**

<b>Pos</b>	<b>No.</b>	<b>Surname</b>	<b>First Name</b>	<b>Nat.</b>	<b>Best</b>	<b>Points</b>
1	207	Eliot	Peter	GBR	1:59.292	450.00
2	222	Robert	Cedric	SUI	2:03.494	432.62
3	23	Labarthe	Yvon	SUI	1:58.192	424.37
4	223	Santolmazza	Luca	ITA	1:59.395	416.84
5	209	Gerber	Gregory	FRA	2:02.415	409.88
6	208	Frischauf	Alexander	AUT	2:02.109	403.36
7	212	Mahdzan	Abdil	MAS	2:02.261	397.22
8	116	Bouaich	Kevin	SUI	2:00.050	391.40
9	226	Tarradas Miquel	Jan	ESP	2:00.314	385.84
10	225	Stephenson	William	GBR	2:01.295	380.52
11	205	Demarco	Christian	SUI	2:02.578	375.41
12	219	Pruhal	Fabien	FRA	2:02.671	370.49
13	217	Parks	Kolby	CAN	2:01.568	365.74

**International Gravity Sports Association**

<b>Event:</b>	Podova Grand Prix	<b>Promoter:</b>	Rollclub Scuola di Pattinaggio
<b>Location:</b>	Teolo, Italy	<b>Chief Steward:</b>	Marcus Rietema
<b>Date:</b>	August 1, 2010	<b>Starter:</b>	Guillaume Gansert
<b>Event Level:</b>	World Cup	<b>Track Conditions:</b>	Dry
<b>Weather:</b>	Hot 30C	<b>Course Length:</b>	1.6km

**Street Luge Continued Results**

<b>Pos</b>	<b>No.</b>	<b>Surname</b>	<b>First Name</b>	<b>Nat.</b>	<b>Best</b>	<b>Points</b>
14	200	Bouchard-Pouliot	Louis-Etienne (bob)	CAN	2:02.467	361.13
15	211	Lavoie	Charles-Antoine (bob)	CAN	2:03.886	356.66
16	201	Bunsch	Lukas	POL	2:04.411	352.32
17	203	Condon	William	CAN	2:01.195	348.10
18	224	Sartori	Fabio	SUI	2:03.395	343.98
19	214	Marcuello torralba	Gerard	ESP	2:05.220	339.96
20	228	Williams	James	GBR	2:05.324	336.03
21	213	Manso Espiot	Thomas	ESP	2:05.827	332.19
22	220	Ptak	Jacek	POL	2:06.017	328.43
23	210	Gilli	Vito Francesco	ITA	2:09.287	324.75
24	227	Valsania	Antonio	ITA	2:13.372	321.14
25	216	McBride	Chris	USA	2:04.918	317.59
26	204	De Pollo	Maurizio	ITA	2:07.852	314.11
27	221	Rapalino	Luca	ITA	2:08.436	310.69
28	202	Byrd (F)	Hannah	GBR	2:13.423	307.33
29	231	Rubi	Maxime	FRA	2:00.957	304.02

**Downhill Inline Results**

<b>Pos</b>	<b>No.</b>	<b>Surname</b>	<b>First Name</b>	<b>Nat.</b>	<b>Best</b>	<b>Points</b>
1	445	Perna	Harry	FRA	1:50.754	450.00
2	407	Buxin	Cedric	FRA	1:51.209	432.62
3	424	Ladurner	Daniel	AUT	1:52.390	424.37
4	464	Vecchi	Angelo	ITA	1:52.735	416.84
5	467	Hali	Samir	MAR	1:52.749	409.88
6	437	Montavon	Christian	SUI	1:54.050	403.36
7	459	Tacchini	Davide	ITA	1:54.213	397.22
8	441	Norel	Moritz	GER	1:54.643	391.40
9	431	Lutz	Frank	AUT	1:55.186	385.84
10	450	Rouffiac	Jonathan	FRA	1:55.976	380.52
11	447	Poirier	Mathieu	FRA	1:56.066	375.41
12	466	Woehrl	Tobias	GER	1:56.239	370.49
13	462	Varin	Nicolas	FRA	1:56.264	365.74
14	406	Brichet	Mathieu	FRA	1:56.343	361.13
15	425	Ladurner	Werner	AUT	1:56.431	356.66
16	414	Dobler	Dominik	GER	1:56.552	352.32
17	446	Phlippoteau (F)	Marjorie	FRA	1:56.748	348.10
18	432	Maissin	Kevin	FRA	1:57.060	343.98
19	403	Bavieri	Massimo	ITA	1:57.155	339.96
20	458	Stich	Kevin	GER	1:57.946	336.03
21	410	Christ Thomas (F)	Severine	FR	1:58.499	332.19
22	423	Jacquin	Regis	FRA	1:58.792	328.43
23	417	Frommlet	Theo	GER	1:59.265	324.75
24	455	Shirgi	Andreas	AUT	1:59.394	321.14
25	471	Dobler	Philipp	AUT	1:59.410	317.59
26	428	Le Van	Jean Baptiste	FRA	1:59.421	314.11
27	401	Amar	Mehdi	SUI	1:59.507	310.69
28	449	Rocha	Jerome	FRA	1:59.835	307.33
29	439	Neyret	Cyril	SUI	1:59.910	304.02

**International Gravity Sports Association**

**Event:** Podova Grand Prix **Promoter:** Rollclub Scuola di Pattinaggio  
**Location:** Teolo, Italy **Chief Steward:** Marcus Rietema  
**Date:** August 1, 2010 **Starter:** Guillaume Gansert  
**Event Level:** World Cup **Track Conditions:** Dry  
**Weather:** Hot 30C **Course Length:** 1.6km

**Downhill Inline Continued Results**

<b>Pos</b>	<b>No.</b>	<b>Surname</b>	<b>First Name</b>	<b>Nat.</b>	<b>Best</b>	<b>Points</b>
30	453	Schreyer	Terry	SUI	2:00.320	300.77
31	418	Girin	Thierry	FRA	2:00.407	297.56
32	456	Spiegel	Alexander	AUT	2:01.265	294.40
33	400	Ahumada	Edouardo	CHI	2:01.919	291.29
34	463	Vaxelaire	Alexandre	FRA	2:01.953	288.22
35	443	Nocquet	Laurent	FRA	2:02.427	285.19
36	422	Izard	Xavier	FRA	2:02.490	282.20
37	454	Sheinberg	Ran	ISR	2:02.703	279.25
38	409	Cecchi	Franck	FRA	2:02.719	276.34
39	230	Lize	Gabriel	FRA	2:02.774	273.46
40	436	Minaev	Ilya	RUS	2:02.781	270.62
41	404	Berthelot	Mallory	FRA	2:02.978	267.81
42	411	Clais	Raoul	FRA	2:03.004	265.04
43	440	Nguyen	Hung	FRA	2:03.279	262.29
44	433	Manescu	Dragos	ROU	2:03.325	259.58
45	430	Liguori (F)	Valentina	ITA	2:03.464	256.89
46	472	Lehninger	Martin	AUT	2:03.540	254.23
47	426	Lahcen	Alexandre	FRA	2:03.681	251.60
48	470	Tureczec	Marcel	AUT	2:03.705	249.00
49	442	Norel	Udo	GER	2:03.773	246.42
50	434	Marchand (F)	Marie	FRA	2:03.938	243.86
51	420	Gonzalez	Daniel	SUI	2:04.023	241.33
52	468	Bucholzer (F)	Michelle	AUT	2:04.778	238.83
53	451	Sadoux (F)	Emilie	FRA	2:04.801	236.34
54	438	Morandi	Silvio	FRA	2:05.484	233.88
55	405	Bouchet	Cyril	FRA	2:05.508	231.44
56	469	Bucholzer	Martin	AUT	2:06.020	229.02
57	415	Ferhod	Djamel	FRA	2:07.468	226.63
58	444	Parent (F)	Staphanie	FRA	2:09.635	224.25
59	457	Stich	Axel	GER	2:14.976	221.89
60	413	Deloule	Albane	FRA	2:17.299	219.55
61	412	Damaville (F)	Lydie	FRA	2:21.984	217.23
62	416	Frey (F)	Renate	GER	2:23.812	214.93
63	427	Le Cosquer (F)	Solen	FRA	2:36.307	212.65