

International Gravity Sports Association**Event:** US National Championships**Location:** San Dimas, California USA**Date:** October 9, 2010**Event Level:** National**Weather:** Sunny-Hot**Promoter:** Bob Ozman/Marcus Rietema**Chief Steward:** Marcus Rietema**Starter:** Art Sanchez**Track Conditions:** Dry**Course Length:** 1km / .6mi**Downhill Skateboard Qualifying**

Pos	No	Surname	First Name	Nat	Run #1	Run #2	Best
1	9	Lundberg	Erik	SWE	1:04.095	DNS	1:04.095
2	1	Erban	Mischo	CAN	1:05.500	1:04.722	1:04.722
3	167	Rogers	John	USA	1:06.418	1:04.883	1:04.883
4	57	Green	Micah	USA	1:05.763	1:07.279	1:05.763
5	120	Ronzani	Nick	USA	1:06.321	DNS	1:06.321
6	102	Ozan	Evren	USA	1:06.645	DNS	1:06.645
7	122	Snyder	Mike	USA	1:07.435	DNF	1:07.435
8	73	Wagner	Connor	USA	1:08.625	1:07.985	1:07.985
9	306	Crone	Riley	USA	1:08.542	1:07.992	1:07.992
10	219	Ovenden	Trevor	USA	1:09.426	1:09.346	1:09.346
11	251	Baca	Zachery	USA	1:09.953	1:15.563	1:09.953
12	796	Nicassio	Austin	USA	1:13.665	1:10.026	1:10.026
13	364	Riha	Jimmy	USA	1:10.652	1:10.054	1:10.054
14	155	Capps	Maxwell	USA	1:10.953	1:10.145	1:10.145
15	767	McCansland	Brett	USA	1:10.182	DNS	1:10.182
16	684	Shea	Cody	USA	1:15.415	1:10.643	1:10.643
17	373	Quezada	David	USA	1:10.903	DNS	1:10.903
18	359	Vigil	Brian	USA	1:11.201	DNS	1:11.201
19	450	Finocchio	Quin	CAN	1:12.044	1:11.717	1:11.717
20	811	Sumile	Roland	USA	1:11.749	DNS	1:11.749
21	777	Jackson	DJ	USA	1:11.760	DNS	1:11.760
22	420	Hunt	Josh	USA	1:11.785	1:12.059	1:11.785
23	809	Kell	Peter	USA	1:12.367	1:11.841	1:11.841
24	758	Ward	Brian	IRL	1:11.952	DNS	1:11.952
25	792	Hamilton	Scott	USA	1:16.292	1:12.759	1:12.759
26	250	Morgan	Liam	USA	1:13.189	1:12.923	1:12.923
27	815	Schwartz	Hunter	USA	1:13.419	DNS	1:13.419
28	808	Kludy	Ricky	USA	1:15.271	DNS	1:15.271
29	813	Gaul	Chance	USA	DNF	1:15.660	1:15.660
30	805	Crowl	Avery	USA	1:19.165	1:15.739	1:15.739
31	803	Gibbs	Wyatt	USA	1:24.549	DNS	1:24.549
32	800	Swanson	Hunter	USA	1:25.643	DNS	1:25.643
33	802	Fast	Jake	USA	1:26.979	DNS	1:26.979
34	793	Rutherford	Noah	USA	1:34.411	DNS	1:34.411
35	59	Dubendorff	Brent	USA	DNS	DNS	DNS
36	97	Staub	Calvin	USA	DNS	DNS	DNS

Junior 1 Downhill Skateboard Qualifying (Age 8-13)

Pos	No	Surname	First Name	Nat	Run #1	Run #2	Best
1	813	Gaul	Chance	USA	1:15.016	DNS	1:15.016
2	803	Gibbs	Wyatt	USA	1:20.479	DNS	1:20.479
3	781	Jones	Roger	USA	1:21.840	DNS	1:21.840
4	802	Fast	Jake	USA	1:24.122	DNS	1:24.122
5	812	Flagstad	Tanner	USA	1:33.999	DNS	1:33.999

Junior 2 Downhill Skateboard Qualifying (Age 14-17)

Pos	No	Surname	First Name	Nat	Run #1	Run #2	Best
1	57	Green	Micah	USA	1:05.407	DNS	1:05.407
2	102	Ozan	Evren	USA	1:06.633	DNS	1:06.633
3	73	Wagner	Connor	USA	1:07.181	DNS	1:07.181
4	450	Finocchio	Quin	CAN	1:07.840	DNS	1:07.840

International Gravity Sports Association**Event:** US National Championships**Location:** San Dimas, California USA**Date:** October 9, 2010**Event Level:** National**Weather:** Sunny-Hot**Promoter:** Bob Ozman/Marcus Rietema**Chief Steward:** Marcus Rietema**Starter:** Art Sanchez**Track Conditions:** Dry**Course Length:** 1km / .6mi**Junior 2 Downhill Skateboard Continued Qualifying (Age 14-17)**

Pos	No	Surname	First Name	Nat	Run #1	Run #2	Best
5	306	Crone	Riley	USA	1:08.176	DNS	1:08.176
6	251	Baca	Zachery	USA	1:08.190	DNS	1:08.190
7	120	Ronzani	Nick	USA	1:08.748	DNS	1:08.748
8	777	Jackson	DJ	USA	1:10.253	DNS	1:10.253
9	816	Gradillas	Alex	USA	1:11.872	DNS	1:11.872
10	683	Wexell	Arthur	USA	1:12.475	DNS	1:12.475
11	796	Nicassio	Austin	USA	1:12.833	DNS	1:12.833
12	717	Jones	Bryn	USA	1:12.904	DNS	1:12.904
13	250	Morgan	Liam	USA	1:13.796	DNS	1:13.796
14	792	Hamilton	Scott	USA	1:14.544	DNS	1:14.544
15	815	Schwartz	Hunter	USA	1:14.998	DNS	1:14.998
16	805	Crowl	Avery	USA	1:17.344	DNS	1:17.344
17	806	Bryant	Nathan	USA	1:22.269	DNS	1:22.269
18	800	Swanson	Hunter	USA	1:22.801	DNS	1:22.801
19	373	Quezada	David	USA	1:27.086	DNS	1:27.086
20	33	Conaway	Christian	USA	1:34.356	DNS	1:34.356
21	364	Riha	Jimmy	USA	DNF	DNS	DNF
22	797	Breiman	Jesse	USA	DNS	DNS	DNS

Street Luge Qualifying

Pos	No	Surname	First Name	Nat	Run #1	Run #2	Best
1	33	Conaway	Christian	USA	1:05.571	DNS	1:05.571
2	167	Rogers	John	USA	1:06.238	DNS	1:06.238
3	218	Lee	Brian	USA	1:06.836	DNS	1:06.836
4	32	Castaneda	Kyle	USA	1:07.355	DNS	1:07.355
5	31	Tolman	Justin	USA	1:07.485	DNS	1:07.485
6	36	Iverson Jr	Ronnie	USA	1:11.235	DNS	1:11.235
7	99	Schoenberg	Samuele	USA	1:11.747	DNS	1:11.747
8	35	Guarena	Marianne	USA	1:12.853	DNS	1:12.853
9	793	Rutherford	Noah	USA	1:13.905	DNS	1:13.905
10	217	Mitchell	Tabitha	USA	1:22.051	DNS	1:22.051
11	131	Iverson Sr.	Ron	USA	1:47.811	DNS	1:47.811

Classic Luge Qualifying

Pos	No	Surname	First Name	Nat	Run #1	Run #2	Best
1	32	Castaneda	Kyle	USA	1:09.941	DNS	1:09.941
2	2	Peer	Scott	USA	1:12.141	DNS	1:12.141
3	33	Conaway	Christian	USA	1:14.292	DNS	1:14.292
4	31	Tolman	Justin	USA	1:17.309	DNS	1:17.309
5	36	Iverson Jr	Ronnie	USA	1:21.007	DNS	1:21.007
6	777	Jackson	DJ	USA	1:28.513	DNS	1:28.513

Downhill Inline Qualifying

Pos	No	Surname	First Name	Nat	Run #1	Run #2	Best
1	2	Peer	Scott	USA	1:06.913	1:06.574	1:06.574
2	3	Lebrun	Alexandre	FRA	1:06.575	1:06.649	1:06.575
3	82	Tacchini	Davide	ITA	1:10.169	1:09.241	1:09.241
4	18	Merkert	George	USA	1:12.836	1:12.895	1:12.836
5	1	Focke	Warren	USA	1:13.273	1:13.383	1:13.273

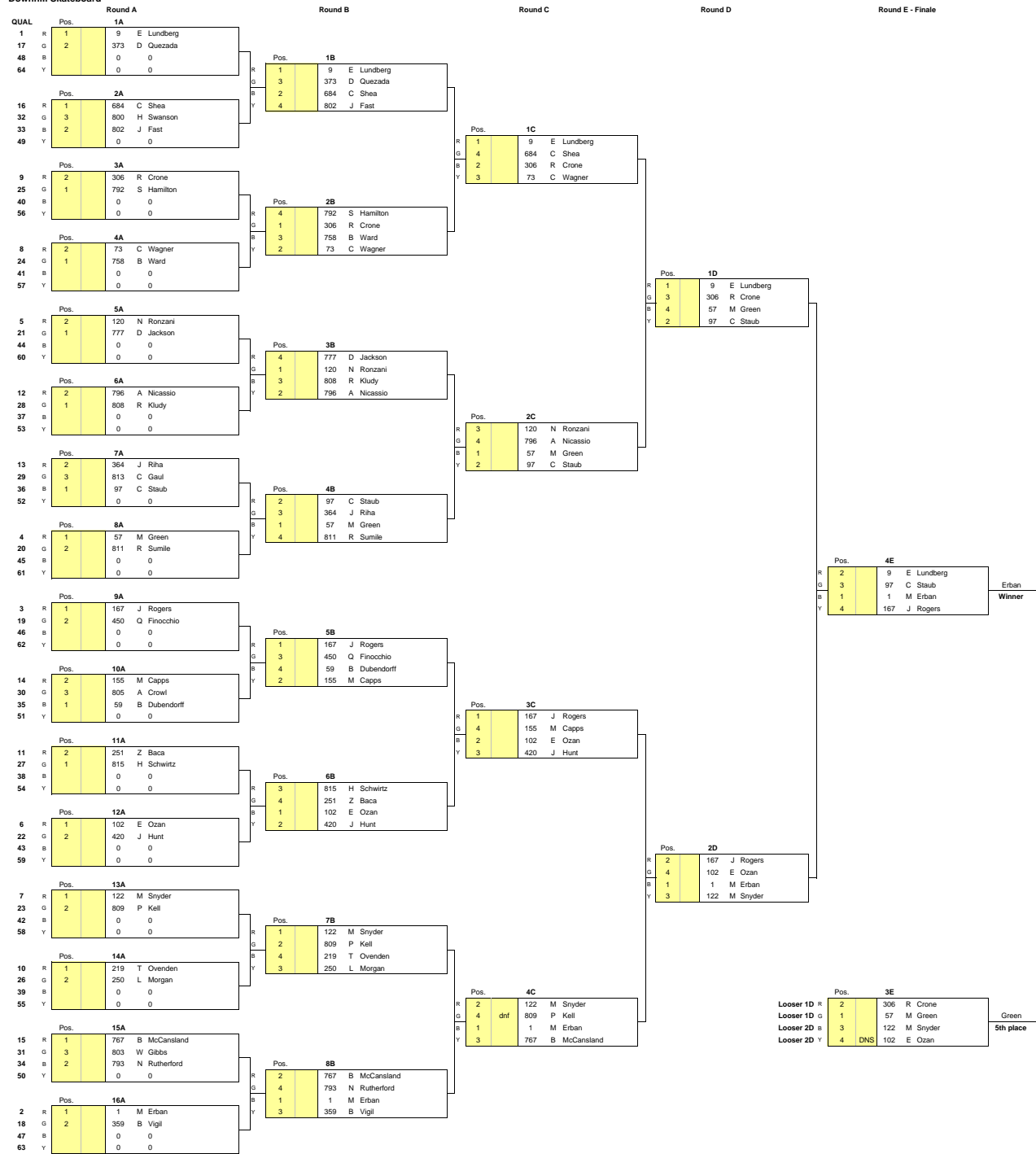
Gravity Bike Qualifying

Pos	No	Surname	First Name	Nat	Run #1	Run #2	Best
1	14	Wilk	Ryan	USA	1:22.365	DNS	1:22.365

International Gravity Sports Association
Event: US National Championships
Location: San Dimas, California USA
Date: October 10, 2010
Event Level: National
Weather: Sunny Hot

Promoter: Bob Ozman
Chief Steward: Marcus Rietema
Starter: Art Sanchez
Track Conditions: Dry
Course Length: 1km / .6mi

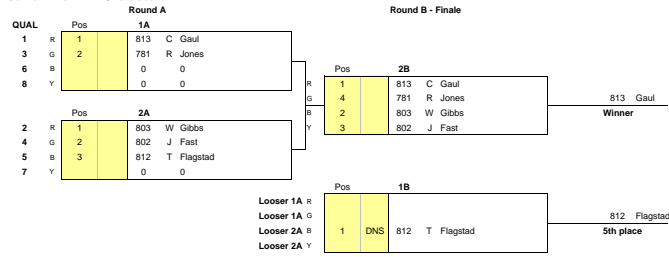
Downhill Skateboard



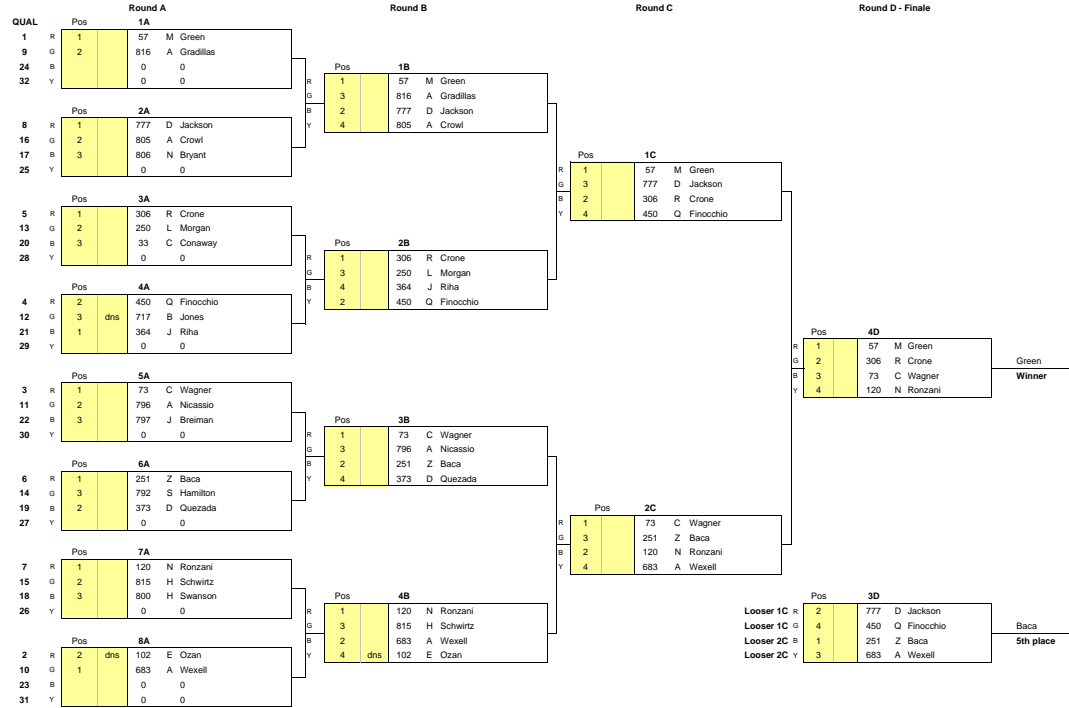
International Gravity Sports Association
Event: US National Championships
Location: San Dimas, California USA
Date: October 10, 2010
Event Level: National
Weather: Sunny Hot

Promoter: Bob Ozman
Chief Steward: Marcus Rietema
Starter: Art Sanchez
Track Conditions: Dry
Course Length: 1km / .6mi

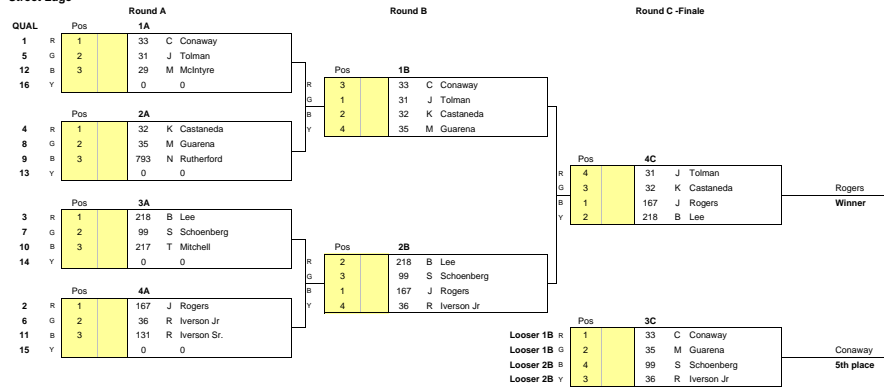
Junior I Downhill Skateboard



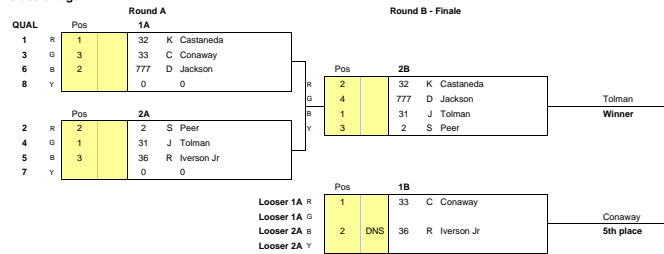
Junior II Downhill Skateboard



Street Luge



Classic Luge



International Gravity Sports Association**Event:** US National Championships**Location:** San Dimas, California USA**Date:** October 10, 2010**Event Level:** National**Weather:** Sunny-Hot**Promoter:** Bob Ozman**Chief Steward:** Marcus Rietema**Starter:** Art Sanchez**Track Conditions:** Dry**Course Length:** 1km / .6mi

QUAL	No	Surname	First Name	Heat #1	Heat #2	Heat #3	Total Points	Pos
1	2	Peer	Scott	2	1	1	4	1
2	3	Lebrun	Alexandre	4	3	2	9	3
3	82	Tacchini	Davide	1	2	3	6	2
4	18	Merkert	George	3	4	4	11	4
4	1	Focke	Warren	5	5	5	15	5

International Gravity Sports Association

Event: US National Championships
Location: San Dimas, California USA
Date: October 10, 2010
Event Level: National
Weather: Sunny-Hot

Promoter: Bob Ozman
Chief Steward: Marcus Rietema
Starter: Art Sanchez
Track Conditions: Dry
Course Length: 1km / .6mi

Downhill Skateboard Results

Pos	No	Surname	First Name	Nat	Best	Points	Winnings
1	1	Erban	Mischo	CAN	1:04.722	316.87	\$500
2	9	Lundberg	Erik	SWE	1:04.095	304.63	\$250
3	97	Staub	Calvin	USA	DNS	298.82	\$100
4	167	Rogers	John	USA	1:04.883	293.53	
5	57	Green	Micah	USA	1:05.763	288.62	
6	306	Crone	Riley	USA	1:07.992	284.03	
7	122	Snyder	Mike	USA	1:07.435	279.71	
8	102	Ozan	Evren	USA	1:06.645	275.61	
9	120	Ronzani	Nick	USA	1:06.321	271.70	
10	73	Wagner	Connor	USA	1:07.985	267.95	
11	767	McCansland	Brett	USA	1:10.182	264.35	
12	420	Hunt	Josh	USA	1:11.785	260.89	
13	796	Nicassio	Austin	USA	1:10.026	257.54	
14	155	Capps	Maxwell	USA	1:10.145	254.30	
15	684	Shea	Cody	USA	1:10.643	251.15	
16	809	Kell	Peter	USA	1:11.841	248.09	
17	364	Riha	Jimmy	USA	1:10.054	245.12	
18	373	Quezada	David	USA	1:10.903	242.22	
19	359	Vigil	Brian	USA	1:11.201	239.39	
20	450	Finocchio	Quin	CAN	1:11.717	236.62	
21	758	Ward	Brian	IRL	1:11.952	233.92	
22	250	Morgan	Liam	USA	1:12.923	231.27	
23	815	Schwartz	Hunter	USA	1:13.419	228.68	
24	808	Kludy	Ricky	USA	1:15.271	226.13	
25	219	Ovenden	Trevor	USA	1:09.346	223.64	
26	251	Baca	Zachery	USA	1:09.953	221.19	
27	811	Sumile	Roland	USA	1:11.749	218.78	
28	777	Jackson	DJ	USA	1:11.760	216.41	
29	792	Hamilton	Scott	USA	1:12.759	214.08	
30	802	Fast	Jake	USA	1:26.979	211.79	
31	793	Rutherford	Noah	USA	1:34.411	209.53	
32	59	Dubendorff	Brent	USA	DNS	207.31	
33	813	Gaul	Chance	USA	1:15.660	205.11	
34	805	Crowl	Avery	USA	1:15.739	202.95	
35	803	Gibbs	Wyatt	USA	1:24.549	200.82	
36	800	Swanson	Hunter	USA	1:25.643	198.72	

Junior 1 Downhill Skateboard Results (Age 8-13)

Pos	No	Surname	First Name	Nat	Best	Points
1	813	Gaul	Chance	USA	1:15.016	316.87
2	803	Gibbs	Wyatt	USA	1:20.479	304.63
3	802	Fast	Jake	USA	1:24.122	298.82
4	781	Jones	Roger	USA	1:21.840	293.53
5	812	Flagstad	Tanner	USA	1:33.999	288.62

Junior 2 Downhill Skateboard Results (Age 14-17)

Pos	No	Surname	First Name	Nat	Best	Points	Winnings
1	57	Green	Micah	USA	1:05.407	316.87	\$150
2	306	Crone	Riley	USA	1:08.176	304.63	\$100
3	73	Wagner	Connor	USA	1:07.181	298.82	\$50
4	120	Ronzani	Nick	USA	1:08.748	293.53	

International Gravity Sports Association

Event: US National Championships
Location: San Dimas, California USA
Date: October 10, 2010
Event Level: National
Weather: Sunny Hot

Promoter: Bob Ozman
Chief Steward: Marcus Rietema
Starter: Art Sanchez
Track Conditions: Dry
Course Length: 1km / .6mi

Junior 2 Downhill Skateboard Continued Results (Age 14-17)

Pos	No	Surname	First Name	Nat	Best	Points
5	251	Baca	Zachery	USA	1:08.190	288.62
6	777	Jackson	DJ	USA	1:10.253	284.03
7	683	Wexell	Arthur	USA	1:12.475	279.71
8	450	Finocchio	Quin	CAN	1:07.840	275.61
9	816	Gradillas	Alex	USA	1:11.872	271.70
10	796	Nicassio	Austin	USA	1:12.833	267.95
11	250	Morgan	Liam	USA	1:13.796	264.35
12	815	Schwartz	Hunter	USA	1:14.998	260.89
13	805	Crowl	Avery	USA	1:17.344	257.54
14	373	Quezada	David	USA	1:27.086	254.30
15	364	Riha	Jimmy	USA	DNF	251.15
16	102	Ozan	Evren	USA	1:06.633	248.09
17	792	Hamilton	Scott	USA	1:14.544	245.12
18	806	Bryant	Nathan	USA	1:22.269	242.22
19	800	Swanson	Hunter	USA	1:22.801	239.39
20	33	Conaway	Christian	USA	1:34.356	236.62
21	797	Breiman	Jesse	USA	DNS	233.92
22	717	Jones	Bryn	USA	1:12.904	231.27

Street Luge Results

Pos	No	Surname	First Name	Nat	Best	Points	Winnings
1	167	Rogers	John	USA	1:06.238	316.87	\$100
2	218	Lee	Brian	USA	1:06.836	304.63	\$50
3	32	Castaneda	Kyle	USA	1:07.355	298.82	\$25
4	31	Tolman	Justin	USA	1:07.485	293.53	
5	33	Conaway	Christian	USA	1:05.571	288.62	
6	35	Guarena	Marianne	USA	1:12.853	284.03	
7	36	Iverson Jr	Ronnie	USA	1:11.235	279.71	
8	99	Schoenberg	Samuele	USA	1:11.747	275.61	
9	793	Rutherford	Noah	USA	1:13.905	271.70	
10	217	Mitchell	Tabitha	USA	1:22.051	267.95	
11	131	Iverson Sr.	Ron	USA	1:47.811	264.35	
12	29	McIntyre	Mike	USA	DNS	260.89	

Classic Luge Results

Pos	No	Surname	First Name	Nat	Best	Points	Winnings
1	31	Tolman	Justin	USA	1:17.309	316.87	\$100
2	32	Castaneda	Kyle	USA	1:09.941	304.63	\$50
3	2	Peer	Scott	USA	1:12.141	298.82	\$25
4	777	Jackson	DJ	USA	1:28.513	293.53	
5	33	Conaway	Christian	USA	1:14.292	288.62	
6	36	Iverson Jr	Ronnie	USA	1:21.007	284.03	

Downhill Inline Results

Pos	No	Surname	First Name	Nat	Best	Points
1	2	Peer	Scott	USA	1:06.574	316.87
2	82	Tacchini	Davide	ITA	1:09.241	304.63
3	3	Lebrun	Alexandre	FRA	1:06.575	298.82
4	18	Merkert	George	USA	1:12.836	293.53
5	1	Focke	Warren	USA	1:13.273	288.62

Gravity Bike Results

Pos	No	Surname	First Name	Nat	Best	Points
1	14	Wilk	Ryan	USA	1:22.365	316.87