

**International Gravity Sports Association**

**Event:** Mt. Keira Challenge  
**Location:** Wollongong, Australia  
**Date:** April 22, 2012  
**Event Level:** World Cup  
**Weather:** Cloudy, rain 20C

**Promoter:** ASRA  
**Chief Steward:** Norman Kinnish  
**Starter:** Haggy Strom  
**Track Conditions:** Varied dry to wet  
**Course Length:** 1.8 km (1.1mi)

**Downhill Skateboard Results**

<b>Pos</b>	<b>No</b>	<b>Surname</b>	<b>First Name</b>	<b>Nat</b>	<b>Best</b>	<b>Points</b>	<b>Prize Money</b>
1	1	Tongue	Alex	USA	113.087	450.00	\$2,000.00
2	2	Switzer	Patrick	CAN	113.739	432.62	\$1,250.00
3	35	Silva	Douglas	BRA	123.915	424.37	\$750.00
4	16	Mitchell	Jayden	AUS	120.017	416.84	\$550.00
5	4	Kelly	James	USA	115.363	409.88	\$400.00
6	5	Degen	Duke	USA	115.364	403.36	
7	15	Kienzle	Matt	USA	119.838	397.22	
8	22	Graves	Anthony	CAN	122.240	391.40	
9	7	Pilloni	Louis	CAN	116.792	385.84	
10	9	Stephens	Dillon	CAN	117.864	380.52	
11	11	Martin	Kyle	CAN	117.941	375.41	
12	70	Djukic	Dejan	AUS	132.544	370.49	
13	12	Hay	Ben	AUS	118.575	365.74	
14	39	Ihaia	Api	NZL	124.951	361.13	
15	64	Morphett	Will	AUS	131.117	356.66	
16	8	Kite	Cameron	AUS	116.989	352.32	
17	6	Sunde	Torbjørn	NOR	116.712	348.10	
18	18	Kent	Raine	AUS	121.300	343.98	
19	23	Bemrose	Liam	AUS	122.282	339.96	
20	25	Mcwhinnie	Rob	AUS	122.600	336.03	
21	29	Leeson	Corey	AUS	122.836	332.19	
22	30	Coleman	Luca	AUS	122.992	328.43	
23	37	Sandberg	Robin	SWE	124.310	324.75	
24	74	Jensen	Mikael (kula)	NOR	133.350	321.14	
25	3	Erban	Mischo	CAN	115.110	317.59	
26	13	Yates	Adam	AUS	119.539	314.11	
27	21	Smith	Scott	CAN	122.045	310.69	
28	24	Batt	Christoph	SUI	122.320	307.33	
29	33	Finocchio	Quin	CAN	123.755	304.02	
30	34	Lau	Ethan	USA	123.775	300.77	
31	54	Cassar	Matthew	AUS	127.977	297.56	
32	55	Carey	Lachlan	AUS	128.215	294.40	
33	10	Hornbrook	Richy	AUS	117.871	291.29	
34	14	Lessmann	Mathias	AUS	119.680	288.22	
35	20	Mifsud	Michael	AUS	121.726	285.19	
36	27	Bond	Craig	AUS	122.670	282.20	
37	28	Mikalsen	Lars	NOR	122.671	279.25	
38	31	Hietala	Ville	FIN	123.078	276.34	
39	32	Duber	Simon	AUS	123.365	273.46	
40	36	Kaczmarek	James	AUS	124.175	270.62	
41	42	Monk	Josh	GBR	126.060	267.81	
42	44	Baddeley	Dylan	AUS	126.438	265.04	
43	46	Dalton	Sam	AUS	126.919	262.29	
44	48	Rae	Matthew	CAN	127.037	259.58	
45	56	Oman	Harry	AUS	128.823	256.89	
46	57	Duddy	Neil	AUS	128.857	254.23	
47	59	Hughes	Ash	NZL	129.406	251.60	
48	80	Glenn	Jack	AUS	134.476	249.00	
49	17	Onchi	Curtis	USA	120.620	246.42	
50	19	O'Brien	Chris	AUS	121.635	243.86	
51	38	Moncrieff	Austin	AUS	124.606	241.33	

**International Gravity Sports Association**

**Event:** Mt. Keira Challenge  
**Location:** Wollongong, Australia  
**Date:** April 22, 2012  
**Event Level:** World Cup  
**Weather:** Cloudy, rain 20C

**Promoter:** ASRA  
**Chief Steward:** Norman Kinnish  
**Starter:** Haggy Strom  
**Track Conditions:** Varied dry to wet  
**Course Length:** 1.8 km (1.1mi)

**Downhill Skateboard Continued Results**

Pos	No	Surname	First Name	Nat	Best	Points
52	40	O'Callaghan	Callum	AUS	125.279	238.83
53	41	Dennehy	Shane	AUS	125.740	236.34
54	43	Griffiths	Leigh	AUS	126.269	233.88
55	45	Bond	Dane	AUS	126.618	231.44
56	49	Hammond	Scott	AUS	127.304	229.02
57	50	Hepple	Mark	AUS	127.620	226.63
58	51	Daddow	Stephen	AUS	127.669	224.25
59	52	Virgolini	Agustin-Pablo	ARG	127.691	221.89
60	53	Dwyer	Ted	AUS	127.792	219.55
61	58	Mills	Glenn	AUS	128.929	217.23
62	60	Boortman	Matt	AUS	129.951	214.93
63	26	Baska	Caspian	AUS	122.618	212.65
64	47	Martin	Alex	ESP	126.931	210.38
65	61	Lundmark	Jonatan	AUS	130.081	208.13
66	78	Robert	Nicolas	SUI	134.022	205.89
67	71	Rodgers	Jeremy	AUS	132.576	203.68
68	92	Evans	Josh	AUS	139.016	201.48
69	63	Davey	Owen	AUS	130.749	199.29
70	67	Day	Tim	AUS	132.081	197.12
71	68	Stuart-Smith	Steve	AUS	132.130	194.96
72	97	Wright	Jason	AUS	139.901	192.82
73	62	Kent	Jack	AUS	130.427	190.70
74	88	Green	Timothy	AUS	137.016	188.58
75	101	Robson	Henry	AUS	140.230	186.49
76	103	Proudman	Hudson	AUS	142.843	184.40
77	75	Hardy	Christopher	AUS	133.556	182.33
78	76	Robertson (F)	Lea	AUS	133.851	180.27
79	79	Starr	Jarrold	AUS	134.110	178.22
80	81	Lucchesi	Addison	AUS	134.507	176.19
81	83	George	Blake	AUS	135.380	174.17
82	87	Kornienko (F)	Dasha	CAN	136.647	172.16
83	89	Millones	Juan diego	AUS	137.086	170.16
84	100	Harris	Charlie	AUS	140.077	168.17
85	65	Nicholls	Ryan	AUS	131.547	166.20
86	66	Waring	Alejandro	AUS	132.024	164.24
87	77	Musumeci	Josh	AUS	133.953	162.28
88	85	Gwillim	Paul	AUS	136.243	160.34
89	86	Gerber	Sam	AUS	136.350	158.41
90	91	Evans	David	AUS	138.827	156.49
91	95	Wolinski	Tom	AUS	139.493	154.58
92	96	Maclachlan	Zach	AUS	139.815	152.68
93	84	Pemberton	Charlie	AUS	135.660	150.79
94	90	Gibson	Chad	AUS	137.451	148.91
95	93	Traina	David	AUS	139.084	147.04
96	94	Marshall	Jasper	AUS	139.169	145.18
97	98	Carroll	Lewis	AUS	139.988	143.33
98	99	Groth	Alexander	AUS	140.069	141.49
99	104	Pritchard-Davies	Tommy	AUS	144.022	139.66
100	105	Stokes	James	AUS	144.865	137.83
101	106	Guzzardi	Daniel	AUS	146.770	136.02
102	107	Summers	Kyle	AUS	147.098	134.21

**International Gravity Sports Association**

**Event:** Mt. Keira Challenge  
**Location:** Wollongong, Australia  
**Date:** April 22, 2012  
**Event Level:** World Cup  
**Weather:** Cloudy, rain 20C

**Promoter:** ASRA  
**Chief Steward:** Norman Kinnish  
**Starter:** Haggy Strom  
**Track Conditions:** Varied dry to wet  
**Course Length:** 1.8 km (1.1mi)

**Downhill Skateboard Continued Results**

Pos	No	Surname	First Name	Nat	Best	Points
103	108	Bäcklund (F)	Ishtar	SWE	148.918	132.42
104	112	Holland (F)	Gemma	AUS	155.649	130.63
105	116	Ho (F)	Ching-ling	MAS	156.532	128.85
106	118	Hawes	Daniel	AUS	161.193	127.07
107	102	To	Conrad	AUS	140.271	125.31
108	109	Gwillim	Jamie	AUS	150.110	123.55
109	110	Richardson	Bayley	AUS	154.433	121.81
110	114	Seeley	Kirby	AUS	156.058	120.07
111	115	Halls	Ben	AUS	156.523	118.33
112	117	Mcwhinnie (F)	Magaly	PER	157.956	116.61
113	120	Hope	Harry	AUS	164.587	114.89
114	122	London (F)	Amy	NZL	166.347	113.18
115	123	de Melo	Humberto	AUS	173.428	111.48
116	69	Gwynne	Gabriel	AUS	132.473	109.78
117	72	Nunez (F)	Marisa	PER	132.924	108.09
118	73	Coggan	Ian	AUS	133.062	106.41
119	82	Carter	Kelly	AUS	135.151	104.74
120	111	Hurel	Patrick	AUS	155.614	103.07
121	113	Ellis	Cory	AUS	155.896	101.41
122	119	Stephenson	William	GBR	164.064	99.76
123	121	Meyn	Jack	AUS	165.088	98.11
124	124	Price-Reeve	Oliver	AUS	178.161	96.47

**Women Downhill Skateboard Results**

Pos	No	Surname	First Name	Nat	Best	Points	Prize Money
1	1	Nunez	Marisa	PER	132.924	450.00	\$1,000.00
2	2	Robertson	Lea	AUS	133.851	432.62	\$500.00
3	4	Bäcklund	Ishtar	SWE	148.918	424.37	\$300.00
4	3	Kornienko	Dasha	CAN	136.647	416.84	
5	5	Holland	Gemma	AUS	155.649	409.88	
6	6	Ho	Ching-ling	MAS	156.532	403.36	
7	7	Mcwhinnie	Magaly	PER	157.956	397.22	
8	8	London	Amy	NZL	166.347	391.40	

**Junior 2 Downhill Skateboard Results (Age 14-17)**

Pos	No	Surname	First Name	Nat	Best	Points	Prize Money
1	1	Mitchell	Jayden	AUS	120.017	450.00	\$800.00
2	18	Carter	Kelly	AUS	135.151	432.62	\$500.00
3	12	Djukic	Dejan	AUS	132.544	424.37	\$300.00
4	6	Finocchio	Quin	CAN	123.755	416.84	
5	4	Bemrose	Liam	AUS	122.282	409.88	
6	3	Mifsud	Michael	AUS	121.726	403.36	
7	23	Evans	Josh	AUS	139.016	397.22	
8	9	Dwyer	Ted	AUS	127.792	391.40	
9	2	O'Brien	Chris	AUS	121.635	385.84	
10	8	Dalton	Sam	AUS	126.919	380.52	
11	13	Coggan	Ian	AUS	133.062	375.41	
12	30	Proudman	Hudson	AUS	142.843	370.49	
13	7	Baddeley	Dylan	AUS	126.438	365.74	
14	14	Hardy	Christopher	AUS	133.556	361.13	
15	16	Glenn	Jack	AUS	134.476	356.66	

**International Gravity Sports Association**

**Event:** Mt. Keira Challenge  
**Location:** Wollongong, Australia  
**Date:** April 22, 2012  
**Event Level:** World Cup  
**Weather:** Cloudy, rain 20C

**Promoter:** ASRA  
**Chief Steward:** Norman Kinnish  
**Starter:** Haggly Strom  
**Track Conditions:** Varied dry to wet  
**Course Length:** 1.8 km (1.1mi)

**Junior 2 Downhill Skateboard Continued Results (Age 14-17)**

Pos	No	Surname	First Name	Nat	Best	Points
16	28	Robson	Henry	140.230	140.230	352.32
17	5	Baska	Caspian	122.618	122.618	348.10
18	19	George	Blake	135.380	135.380	343.98
19	21	Gerber	Sam	136.350	136.350	339.96
20	25	Carroll	Lewis	139.988	139.988	336.03
21	26	Groth	Alexander	140.069	140.069	332.19
22	32	Stokes	James	144.865	144.865	328.43
23	17	Lucchesi	Addison	134.507	134.507	324.75
24	20	Pemberton	Charlie	135.660	135.660	321.14
25	24	Marshall	Jasper	139.169	139.169	317.59
26	27	Harris	Charlie	140.077	140.077	314.11
27	29	To	Conrad	140.271	140.271	310.69
28	10	Oman	Harry	128.823	128.823	307.33
29	11	Waring	Alejandro	132.024	132.024	304.02
30	22	Gibson	Chad	137.451	137.451	300.77
31	15	Musumeci	Josh	133.953	133.953	297.56
32	31	Pritchard-Davies	Tommy	144.022	144.022	294.40
33	33	Summers	Kyle	147.098	147.098	291.29
34	34	Richardson	Bayley	154.433	154.433	288.22
35	35	Seeley	Kirby	156.058	156.058	285.19
36	36	Halls	Ben	156.523	156.523	282.20
37	37	Hope	Harry	164.587	164.587	279.25
38	38	Price-Reeve	Oliver	178.161	178.161	276.34

**Classic Luge Results**

Pos	No	Surname	First Name	Nat	Best	Points
1	4	Williams	Frank	USA	124.930	450.00
2	7	Newton	Daniel	AUS	127.215	432.62
3	1	Mahdzan	Abdil (Furlong)	MAS	121.445	424.37
4	6	Yates	Adam	AUS	126.052	416.84
5	3	McKirdy	Nic	AUS	124.119	409.88
6	2	Anderson	David	AUS	121.894	403.36
7	5	Sparks	Adam	AUS	125.655	397.22
8	8	Daddow	Stephen	AUS	130.063	391.40
9	9	Robert	Nicolas	SUI	131.663	385.84
10	10	Godfrey	Simon	AUS	132.863	380.52
11	11	Miller	David	AUS	134.530	375.41
12	12	Rodgers	Jeremy	AUS	141.607	370.49

**Street Luge Results**

Pos	No	Surname	First Name	Nat	Best	Points	Prize Money
1	1	Mahdzan	Abdil (Furlong)	MAS	109.734	450.00	\$800.00
2	10	Sparks	Adam	AUS	119.839	432.62	\$500.00
3	2	Stephenson	William	GBR	113.146	424.37	\$300.00
4	4	Thompson	David	AUS	115.525	416.84	
5	3	Burke	Brendan	AUS	113.180	409.88	
6	5	Williams	Frank	USA	117.443	403.36	
7	11	McKirdy	Nic	AUS	120.384	397.22	
8	9	Evans	Lance	AUS	119.386	391.40	
9	6	Anderson	David	AUS	118.163	385.84	
10	7	Knudsen	Steven	AUS	118.190	380.52	

**International Gravity Sports Association****Event:** Mt. Keira Challenge**Location:** Wollongong, Australia**Date:** April 22, 2012**Event Level:** World Cup**Weather:** Cloudy, rain 20C**Promoter:** ASRA**Chief Steward:** Norman Kinnish**Starter:** Haggy Strom**Track Conditions:** Varied dry to wet**Course Length:** 1.8 km (1.1mi)**Street Luge Results**

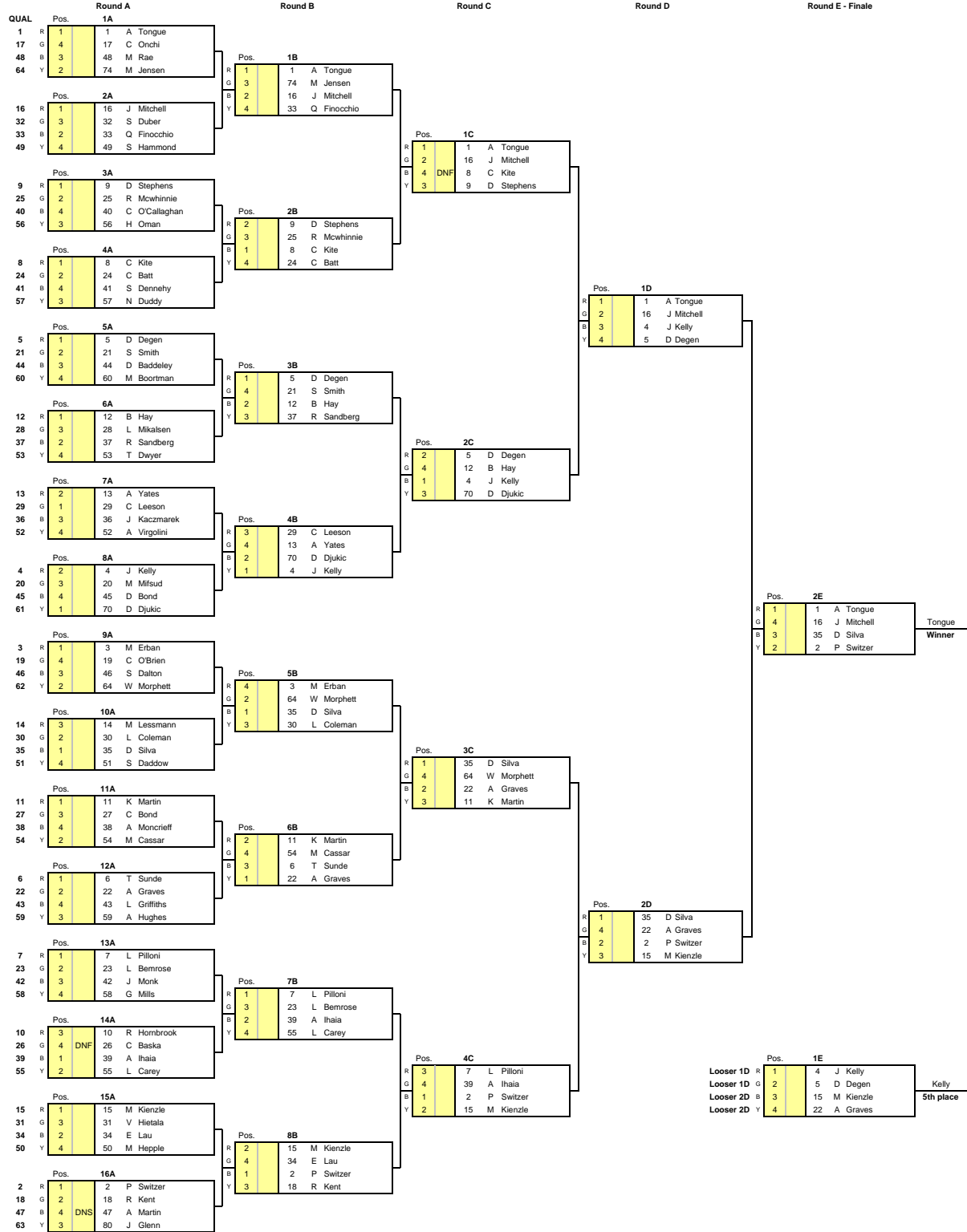
<b>Pos</b>	<b>No</b>	<b>Surname</b>	<b>First Name</b>	<b>Nat</b>	<b>Best</b>	<b>Points</b>
11	8	Newton	Daniel	AUS	119.302	375.41
12	12	Miller	David	AUS	120.763	370.49
13	13	Anderson	Mark	AUS	120.821	365.74
14	14	Godfrey	Simon	AUS	121.222	361.13
15	15	Jensen	Mikael (kula)	NOR	123.231	356.66

**International Gravity Sports Association**

**Event:** Mt. Keira Challenge  
**Location:** Wollongong, Australia  
**Date:** April 22, 2012  
**Event Level:** World Cup  
**Weather:** Cloudy, rain 20C

**Promoter:** ASRA  
**Chief Steward:** Norman Kinnish  
**Starter:** Haggy Strom  
**Track Conditions:** Varied dry to wet  
**Course Length:** 1.8 km (1.1mi)

**Downhill Skateboard**

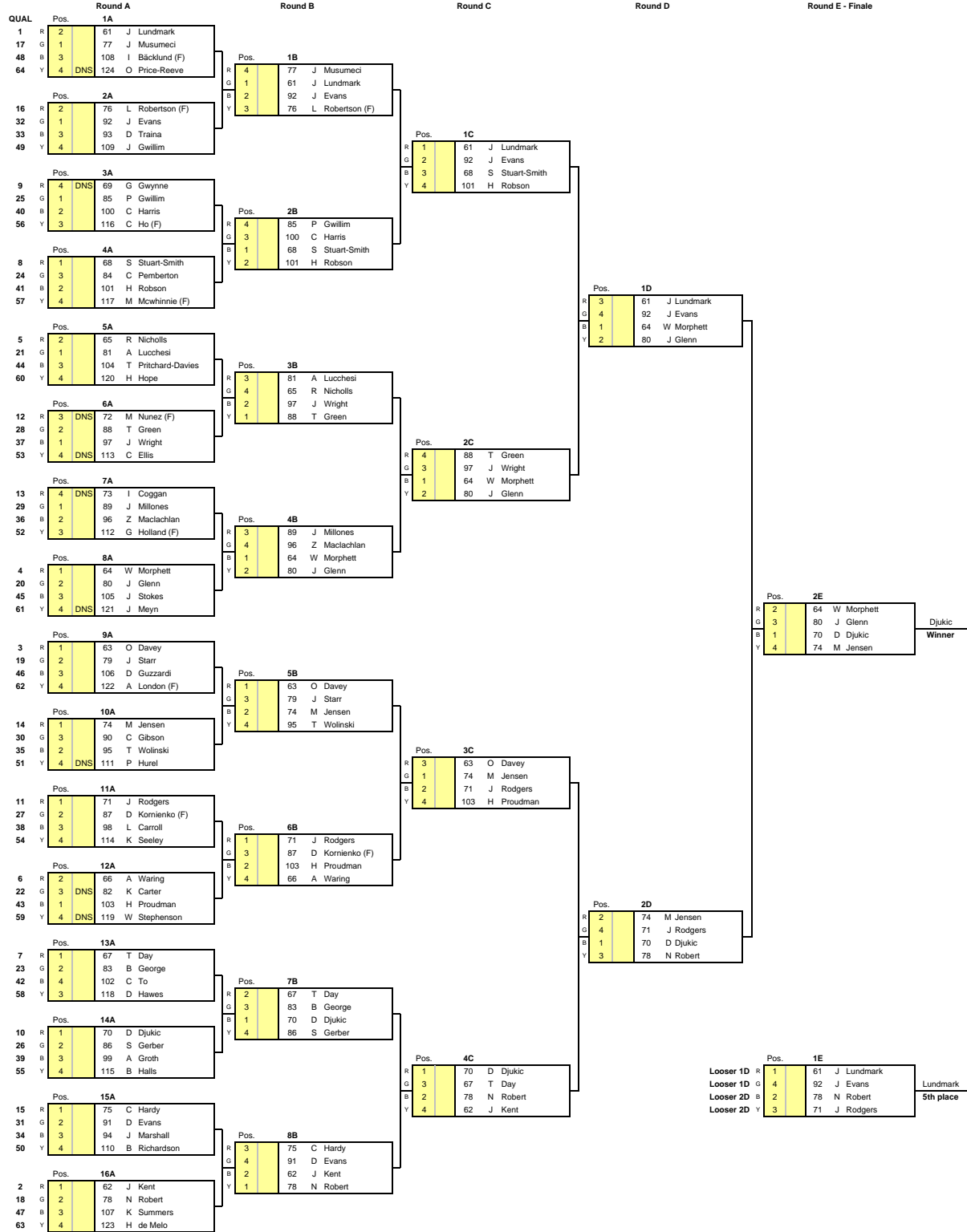


**International Gravity Sports Association**

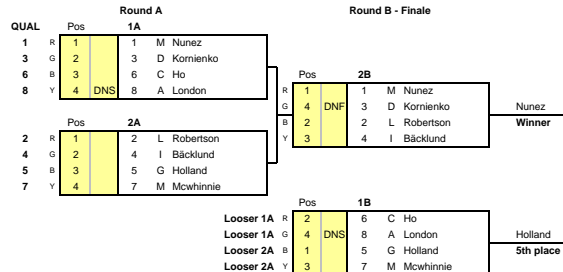
**Event:** Mt. Keira Challenge  
**Location:** Wollongong, Australia  
**Date:** April 22, 2012  
**Event Level:** World Cup  
**Weather:** Cloudy, rain 20C

**Promoter:** ASRA  
**Chief Steward:** Norman Kinnish  
**Starter:** Haggy Strom  
**Track Conditions:** Varied dry to wet  
**Course Length:** 1.8 km (1.1mi)

**Repacharge**



**Women Downhill Skateboard**

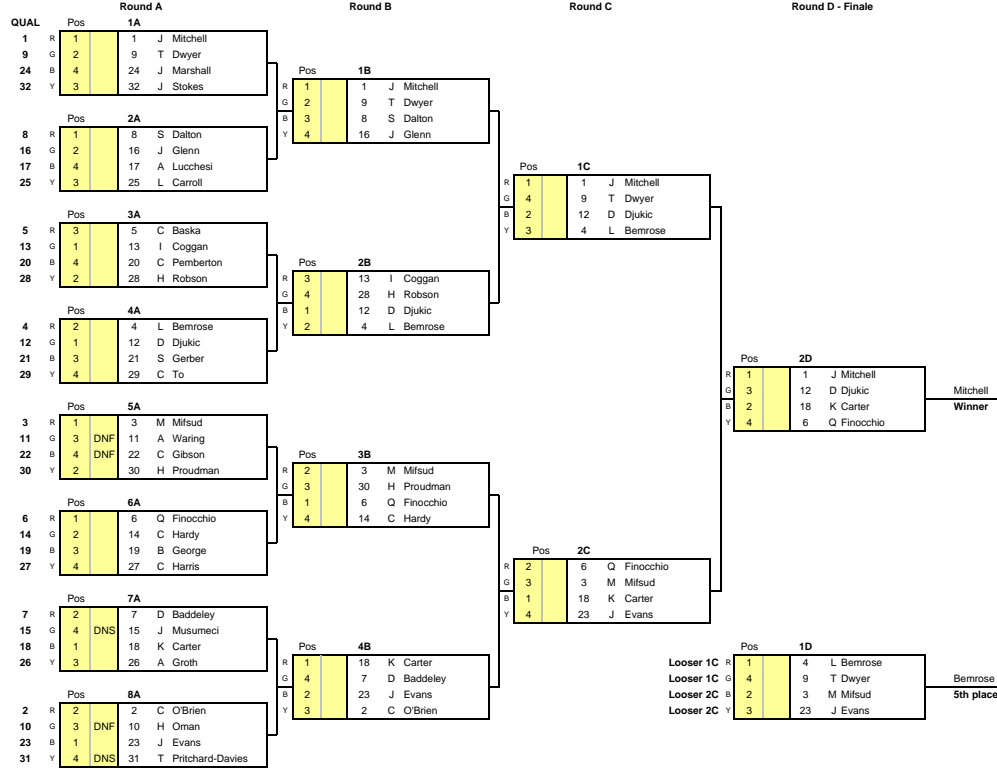


**International Gravity Sports Association**

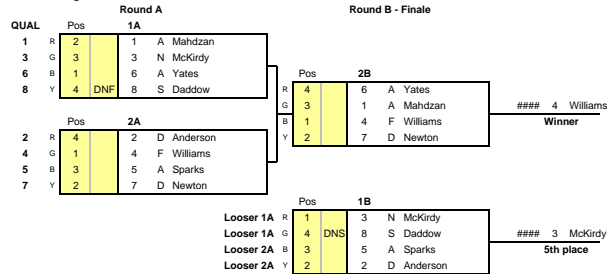
**Event:** Mt. Keira Challenge  
**Location:** Wollongong, Australia  
**Date:** April 22, 2012  
**Event Level:** World Cup  
**Weather:** Cloudy, rain 20C

**Promoter:** ASRA  
**Chief Steward:** Norman Kinnish  
**Starter:** Haggy Strom  
**Track Conditions:** Varied dry to wet  
**Course Length:** 1.8 km (1.1mi)

**Junior II Downhill Skateboard**



**Classic Luge**



**Street Luge**

