

**International Gravity Sports Association**

**Event:** Rubber City Gravity Games  
**Location:** Akron, Ohio  
**Date:** September 23, 2012  
**Event Level:** Continental - North America  
**Weather:** Clear

**Promoter:** David Dean  
**Chief Steward:** Marcus Rietema  
**Starter:** Niel Orta  
**Track Conditions:** Clear  
**Course Length:** 1.36km (0.85mi)

**Downhill Skateboard Results**

Pos	No	Surname	First Name	Nat	Best	Points
1	60	English	Matthew	USA	0:52.462	383.44
2	376	Wester	Kyle	USA	0:51.431	368.62
3	16	Melo	Luke	CAN	0:53.178	361.60
4	71	Royce	William	USA	0:55.432	355.18
5	85	Jakubiec	Mike	CAN	0:53.114	349.25
6	63	Finocchio	Quin	CAN	0:54.122	343.70
7	64	Vickers	Max	USA	0:54.693	338.47
8	133	Brickenden	Cam	CAN	0:54.887	333.50
9	132	Onchi	Curtis	JPN	0:55.351	328.77
10	87	Barnett	Craig	USA	0:54.153	324.24
11	46	Hanan	David	USA	0:56.053	319.88
12	66	Croce	Peter	USA	0:54.957	315.69
13	68	Salay	Stephen	USA	0:55.577	311.64
14	184	Epp	Jason	CAN	0:56.339	307.71
15	41	Wilcox	Avery	USA	0:56.962	303.91
16	58	Coughenour	Matt	USA	0:57.462	300.21
17	70	Sousa	Vasco	PER	0:56.749	296.61
18	90	Patrovski	Mike	USA	0:57.426	293.10
19	89	Janoviak	Jake	USA	0:57.587	289.67
20	48	Forquer	Jacob	USA	0:58.129	286.33
21	45	Hopwood	Daniel	USA	0:58.319	283.05
22	44	Cotter	Cameron	USA	1:00.027	279.85
23	56	Campbell	Liam	USA	1:00.372	276.71
24	65	Murray	Nathan	USA	1:00.515	273.63
25	47	Paproski	Greg (Papadog)	USA	1:01.723	270.61
26	40	Licata	Andrew	USA	1:02.472	267.65
27	54	Howard	Justin	USA	1:05.561	264.73
28	2	Bell	Tristan (Bellaboy)	CAN	1:05.918	261.87
29	49	Beers	Jared	USA	1:01.541	259.05

**Women Downhill Skateboard Results**

Pos	No	Surname	First Name	Nat	Best	Points
1	32	Rayne	Rachel	USA	1:01.552	383.44
2	57	Kramer	Lynn	USA	1:00.517	368.62
3	93	DeMarco	Jennifer	USA	1:04.160	361.60

**Junior 1 Downhill Skateboard Results (Age 8-13)**

Pos	No	Surname	First Name	Nat	Best	Points
2	2	Bell	Tristan (bellaboy)	CAN	1:05.918	368.62
1	47	Paproski	Greg (g-dawg)	USA	1:01.723	383.44

**Junior 2 Downhill Skateboard Results (Age 14-17)**

Pos	No	Surname	First Name	Nat	Best	Points
1	63	Finocchio	Quin	CAN	0:54.122	383.44
2	64	Vickers	Max	USA	0:54.693	368.62
3	45	Hopwood	Daniel	USA	0:58.319	361.60
4	41	Wilcox	Avery	USA	0:56.962	355.18
5	68	Salay	Stephen	USA	0:55.577	349.25
6	70	Sousa	Vasco	PER	0:56.749	343.70
7	48	Forquer	Jacob	USA	0:58.129	338.47
8	65	Murray	Nathan	USA	1:00.515	333.50
9	56	Campbell	Liam	USA	1:00.372	328.77
10	49	Beers	Jared	USA	1:01.541	324.24

**International Gravity Sports Association**

**Event:** Rubber City Gravity Games  
**Location:** Akron, Ohio  
**Date:** September 23, 2012  
**Event Level:** Continental - North America  
**Weather:** Clear

**Promoter:** David Dean  
**Chief Steward:** Marcus Rietema  
**Starter:** Niel Orta  
**Track Conditions:** Clear  
**Course Length:** 1.36km (0.85mi)

**Classic Luge Results**

<b>Pos</b>	<b>No</b>	<b>Surname</b>	<b>First Name</b>	<b>Nat</b>	<b>Best</b>	<b>Points</b>
1	18	Williams	Frank	USA	0:56.578	383.44
2	5	Condon	William	CAN	0:59.666	368.62
3	6	Parks	Kolby	CAN	0:59.313	361.60
4	61	Hicks	Christopher	USA	1:00.270	355.18
5	90	Paproski	Greg (papadog)	USA	1:01.106	349.25
6	83	Kinnish	Nick	GBR	0:59.250	343.70
7	8	McBride	Chris	USA	0:59.980	338.47
8	62	Novak	Tim	USA	1:00.418	333.50
9	51	Yates	Joey	USA	1:01.934	328.77
10	42	Swartz	Bob	USA	1:03.931	324.24
11	59	Yates	Matt	USA	1:05.565	319.88

**Street Luge Results**

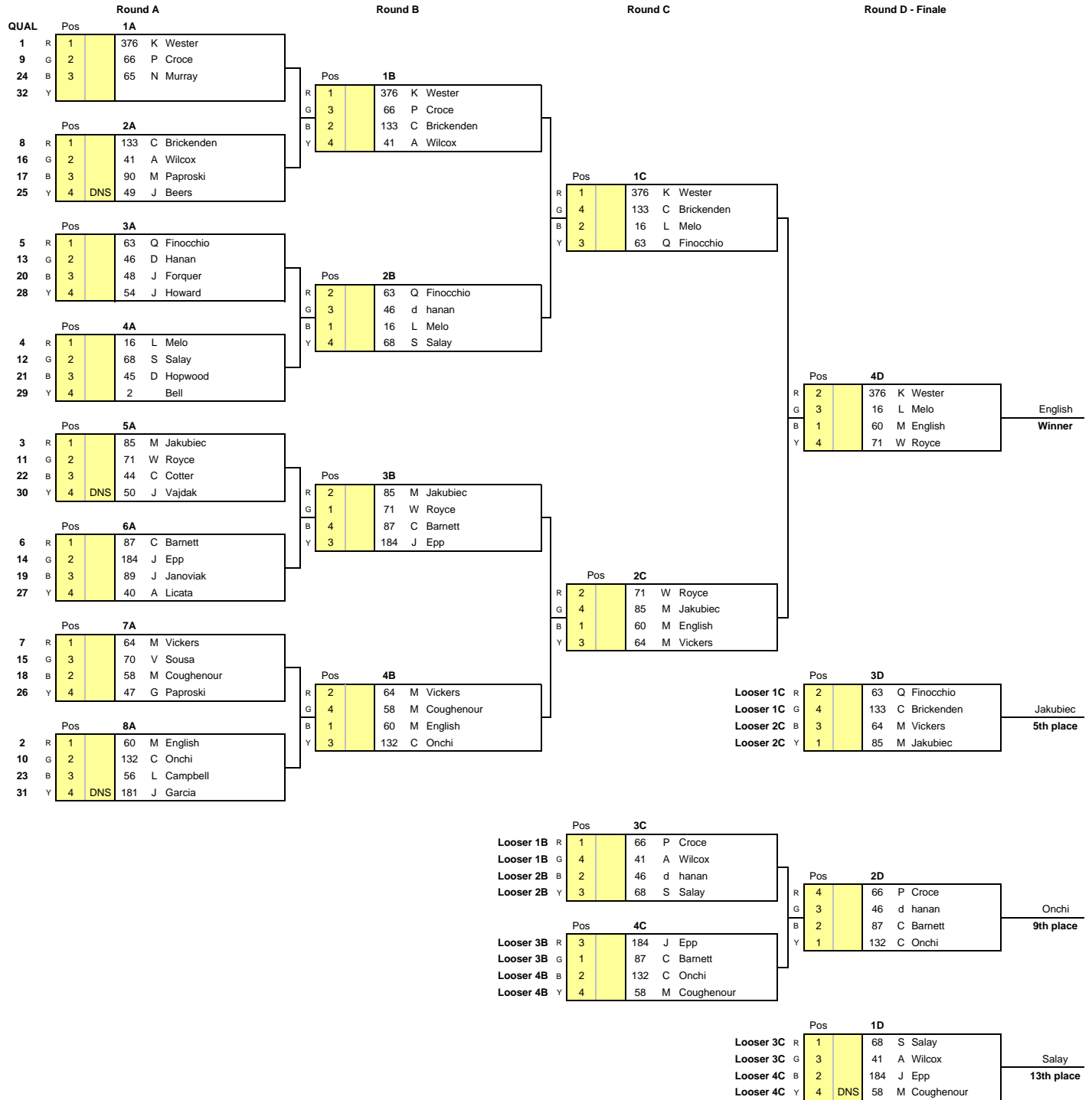
<b>Pos</b>	<b>No</b>	<b>Surname</b>	<b>First Name</b>	<b>Nat</b>	<b>Best</b>	<b>Points</b>
1	53	Crenshaw	Justin	USA	0:56.141	383.44
2	61	Hicks	Christopher	USA	0:58.056	368.62
3	6	Parks	Kolby	CAN	0:56.594	361.60
4	5	Condon	William	CAN	0:57.577	355.18
5	18	Williams	Frank	USA	0:56.809	349.25
6	42	Swartz	Bob	USA	0:57.114	343.70
7	69	Mistretta	Tony	USA	0:58.420	338.47
8	88	Schumacher	Victor	USA	0:57.828	333.50
9	86	Reis	Jamie	USA	0:58.803	328.77
10	8	McBride	Chris	USA	0:58.462	324.24
11	62	Novak	Tim	USA	0:59.888	319.88
12	83	Kinnish	Nick	GBR	0:59.698	315.69
13	51	Yates	Joey	USA	1:00.926	311.64
14	59	Yates	Matt	USA	1:05.348	307.71
15	67	Dean	Ron (papa)	USA	1:11.746	303.91

**International Gravity Sports Association**

**Event:** Rubber City Gravity Games  
**Location:** Akron, Ohio  
**Date:** September 23, 2012  
**Event Level:** Continental - North America  
**Weather:** Clear

**Promoter:** David Dean  
**Chief Steward:** Marcus Rietema  
**Starter:** Niel Orta  
**Track Conditions:** Clear  
**Course Length:** 1.36km (0.85mi)

**Downhill Skateboard**



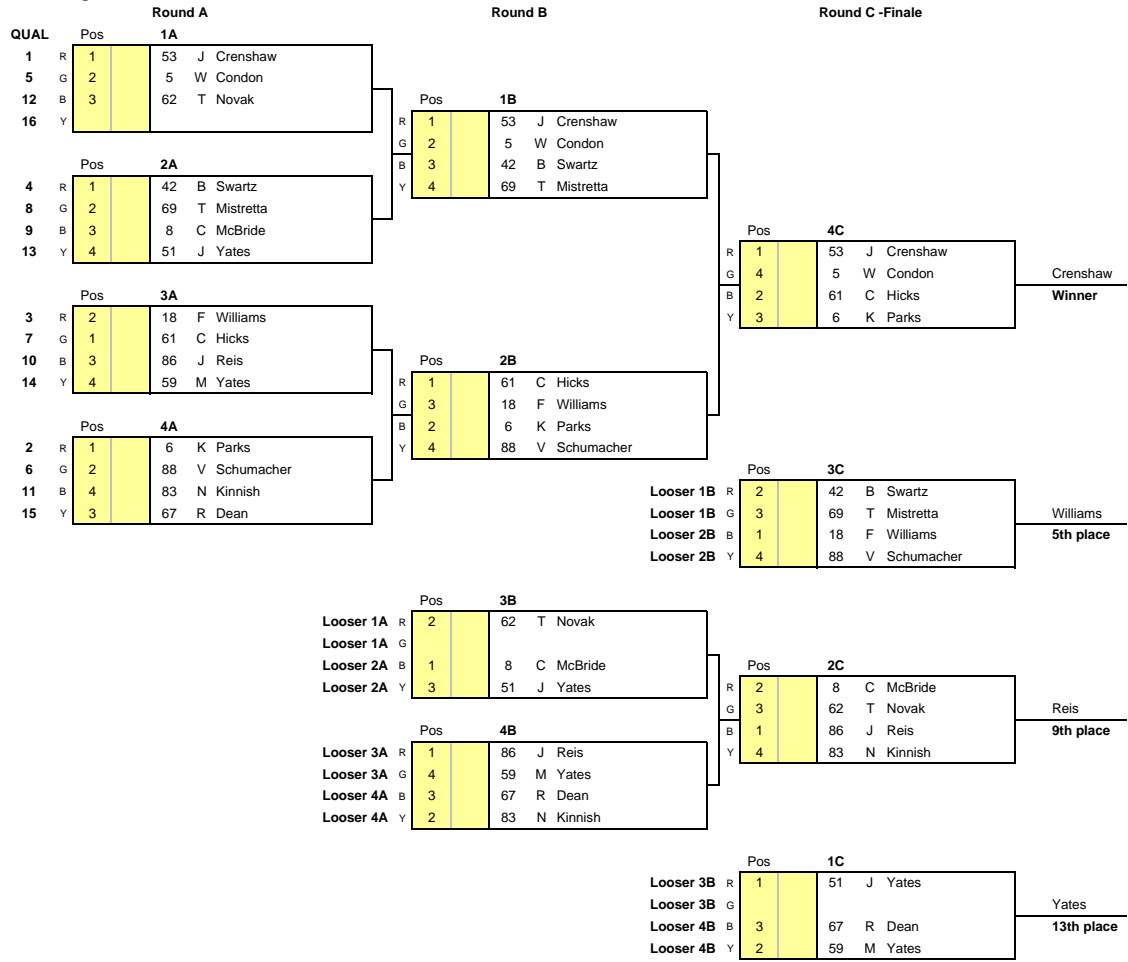


**International Gravity Sports Association**

**Event:** Rubber City Gravity Games  
**Location:** Akron, Ohio  
**Date:** September 23, 2012  
**Event Level:** Continental - North America  
**Weather:** Clear

**Promoter:** David Dean  
**Chief Steward:** Marcus Rietema  
**Starter:** Niel Orta  
**Track Conditions:** Clear  
**Course Length:** 1.36km (0.85mi)

**Street Luge**



**International Gravity Sports Association**

**Event:** Rubber City Gravity Games  
**Location:** Akron, Ohio  
**Date:** September 23, 2012  
**Event Level:** Continental - North America  
**Weather:** Clear

**Promoter:** David Dean  
**Chief Steward:** Marcus Rietema  
**Starter:** Niel Orta  
**Track Conditions:** Clear  
**Course Length:** 1.36km (0.85mi)

**Womens Downhill Skateboard**

QUAL	No	Surname	First Name	Heat #1	Heat #2	Heat #3	Total Points	Pos
1	57	Kramer	Lynn	2	2	1	5	2
2	32	Rayne	Rachel	1	1	2	4	1
3	93	DeMarco	Jennifer	3	3	3	9	3

**Junior 1 Downhill Skateboard**

QUAL	No	Surname	First Name	Heat #1	Heat #2	Heat #3	Total Points	Pos
1	47	Paproski	Greg	2	1	1	4	1
2	2	Bell	Tristan Bellaboy	1	2	2	5	2