

**International Gravity Sports Association**

**Event:** Noosa Pro Am  
**Location:** Tewantin, Australia  
**Date:** September 27, 2015  
**Event Level:** Australian National Championships  
**Weather:** Cloudy - Cool

**Promoter:** Brisbane Street Luge  
**Chief Steward:** Tyler Johnson  
**Starter:** Josh Brailly  
**Track Conditions:** Dry  
**Course Length:** 2.0 km (1.2mi)

**Downhill Skateboard Results**

<b>Pos</b>	<b>No</b>	<b>Surname</b>	<b>First Name</b>	<b>Nat</b>	<b>Best</b>
1	49	Fox	Wip	QLD	2:21.25
2	25	English	Michael	QLD	2:25.46
3	38	Ferguson	Connor	QLD	2:24.06
4	40	Hewett	Zach	QLD	2:21.68
5	41	Walker	Patick	QLD	2:22.28
6	43	Friend	Jacob	QLD	2:26.47
7	16	Van Lille	Matthys	QLD	2:27.84
8	36	Psarros	Lucian	NSW	2:27.22
9	6	Hancock	Cameron	QLD	2:28.25
10	26	Ross	Brandon	QLD	2:31.91
11	27	Butterworth	Ben	QLD	2:36.02
12	24	Gwillim	Jamie	QLD	2:35.28
13	46	Coppleman	Michael	QLD	2:37.30
14	8	Schmid	Tyson	QLD	2:47.28
15	17	Symes	Craig	NSW	4:05.47
16	22	Deyoung	Will	QLD	3:07.06
17	12	Brittain	Graham	QLD	3:10.11

**Junior 1 Downhill Skateboard Results (Age 8-13)**

<b>Pos</b>	<b>No</b>	<b>Surname</b>	<b>First Name</b>	<b>Nat</b>	<b>Best</b>
1	42	Wilson	Finlay	QLD	2:41.67
2	31	Bonser	Zane	NSW	2:55.56
3	33	Young	Riley	NSW	3:00.28
4	48	Bloemendal	Tom	QLD	3:07.34
5	52	Davidson	Tom	QLD	3:19.23
6	51	Campbell	Morgan	QLD	3:38.82

**Junior 2 Downhill Skateboard Results (Age 14-17)**

<b>Pos</b>	<b>No</b>	<b>Surname</b>	<b>First Name</b>	<b>Nat</b>	<b>Best</b>
1	44	Leslie	Patrick	NSW	2:46.840
2	32	Young	Bryn	NSW	3:12.050

**Classic Luge Results**

<b>Pos</b>	<b>No</b>	<b>Surname</b>	<b>First Name</b>	<b>Nat</b>	<b>Best</b>
1	25	English	Michael	QLD	2:44.75
2	12	Brittain	Graham	QLD	2:37.19
3	2	McKirdy	Nic	NSW	2:52.72
4	38	Ferguson	Connor	QLD	2:45.35
5	3	Gough	Darryl	QLD	2:44.69
6	34	Doyle	Ken	NSW	2:54.59
7	6	Hancock	Cameron	QLD	3:08.31
8	8	Schmid	Tyson	QLD	3:07.47
9	4	Godfrey	Simon	ACT	2:58.76
10	23	Cameron	David	NSW	3:07.78
11	11	Long	Stuart	QLD	2:49.55
12	19	Gartrell	Matthew	QLD	2:35.10

**International Gravity Sports Association**

**Event:** Noosa Pro Am  
**Location:** Tewantin, Australia  
**Date:** September 27, 2015  
**Event Level:** Australian National Championships  
**Weather:** Cloudy - Cool

**Promoter:** Brisbane Street Luge  
**Chief Steward:** Tyler Johnson  
**Starter:** Josh Brailly  
**Track Conditions:** Dry  
**Course Length:** 2.0 km (1.2mi)

**Street Luge Results**

<b>Pos</b>	<b>No</b>	<b>Surname</b>	<b>First Name</b>	<b>Nat</b>	<b>Best</b>
1	12	Brittain	Graham	QLD	2:20.47
2	2	McKirby	Nic	NSW	2:20.34
3	25	English	Michael	QLD	2:19.81
4	11	Long	Stuart	QLD	2:23.72
5	13	Fletcher	Shaun	QLD	2:23.46
6	9	Priest	Eddie	QLD	2:24.10
7	19	Gartrell	Matthew	QLD	2:23.89
8	14	Browning	Garry	QLD	2:23.34
9	34	Doyle	Ken	NSW	2:27.59
10	3	Gough	Darryl	QLD	2:27.73
11	20	Cecconi	Michaelangelo	QLD	2:24.03
12	50	Longin	Davide	ITA	2:24.25
13	29	King	Keith	NSW	2:29.46
14	45	Webb	Luke	QLD	2:29.37
15	21	Hunter	Perry	QLD	2:35.65
16	23	Cameron	David	NSW	2:37.23
17	1	Galloway	Andrew	QLD	2:29.94
18	4	Godfrey	Simon	ACT	2:30.75
19	18	Triebe	Jennifer	QLD	2:36.13
20	10	Kemp	Ian	QLD	2:31.09
21	27	Butterworth	Ben	QLD	2:37.81
22	46	Coppleman	Michael	QLD	2:31.66
23	38	Ferguson	Connor	QLD	2:32.25
24	41	Walker	Patrick	QLD	2:33.22
25	30	King	David	NSW	2:42.94
26	35	Remmer	Clive	QLD	2:49.47
27	39	Beard	Jason	QLD	2:37.70

**Gravity Bike Results**

<b>Pos</b>	<b>No</b>	<b>Surname</b>	<b>First Name</b>	<b>Nat</b>	<b>Best</b>
1	35	Remmer	Clive	QLD	2:25.80
2	37	Graham	John	NSW	2:46.50
3	15	King	Maurie	NSW	2:42.91

**International Gravity Sports Association**

**Event:** Noosa Pro Am  
**Location:** Tewantin, Australia  
**Date:** September 27, 2015  
**Event Level:** Australian National Championships  
**Weather:** Cloudy and Cool

**Promoter:** Brisbane Street Luge  
**Chief Steward:** Tyler Johnson  
**Starter:** Josh Brailly  
**Track Conditions:** Dry  
**Course Length:** 2.0 km (1.2mi)

**Downhill Skateboard**

Round A			Round B			Round C -Final		
<b>QUAL</b>	<b>Pos</b>	<b>1A</b>	<b>Pos</b>	<b>1B</b>	<b>Pos</b>	<b>2C</b>		
1	R	1   49 W Fox	R	3   49 W Fox	R	3   38 C Ferguson		
5	G	3   25 M English	G	6   6 C Hancock	G	2   25 M English		
9	B	2   6 C Hancock	B	2   25 M English	B	1   49 W Fox		Fox
16	Y	4   12 G Brittain	Y	1   38 C Ferguson	Y	4   40 Z Hewett		<b>Winner</b>
20	P		P	4   16 M Van Lille	P	6   43 J Friend		
24	O		O	5   27 B Butterworth	O	5   41 P Walker		
		<b>Pos</b>		<b>2B</b>		<b>1C</b>		
4	R	1   38 C Ferguson	R	4   36 L Psarros	R	1   16 M Van Lille		
8	G	2   16 M Van Lille	G	3   41 P Walker	G	5   27 B Butterworth		
12	B	3   27 B Butterworth	B	6   24 J Gwillim	B	3   6 C Hancock		
13	Y	4   46 M Copleman	Y	1   40 Z Hewett	Y	2   36 L Psarros		
17	P	5   17 C Symes	P	5   26 B Ross	P	4   26 B Ross		
21	O		O	2   43 J Friend	O	6   24 J Gwillim		
		<b>Pos</b>		<b>3A</b>		<b>Looser 1B</b>		
3	R	2   41 P Walker	R	2   41 P Walker		1   16 M Van Lille		
7	G	1   36 L Psarros	G	3   41 P Walker		5   27 B Butterworth		
11	B	3   24 J Gwillim	B	6   24 J Gwillim		3   6 C Hancock		
14	Y	4   8 T Schmid	Y	1   40 Z Hewett		2   36 L Psarros		
18	P		P	5   26 B Ross		4   26 B Ross		
22	O		O	2   43 J Friend		6   24 J Gwillim		
		<b>Pos</b>		<b>4A</b>		<b>Looser 2B</b>		
2	R	1   40 Z Hewett				1   16 M Van Lille		
6	G	3   43 J Friend				5   27 B Butterworth		
10	B	2   26 B Ross				3   6 C Hancock		
15	Y	4   22 W Deyoung				2   36 L Psarros		
19	P					4   26 B Ross		
23	O					6   24 J Gwillim		
								<b>Van Lille</b> <b>7th place</b>

**Classic Luge**

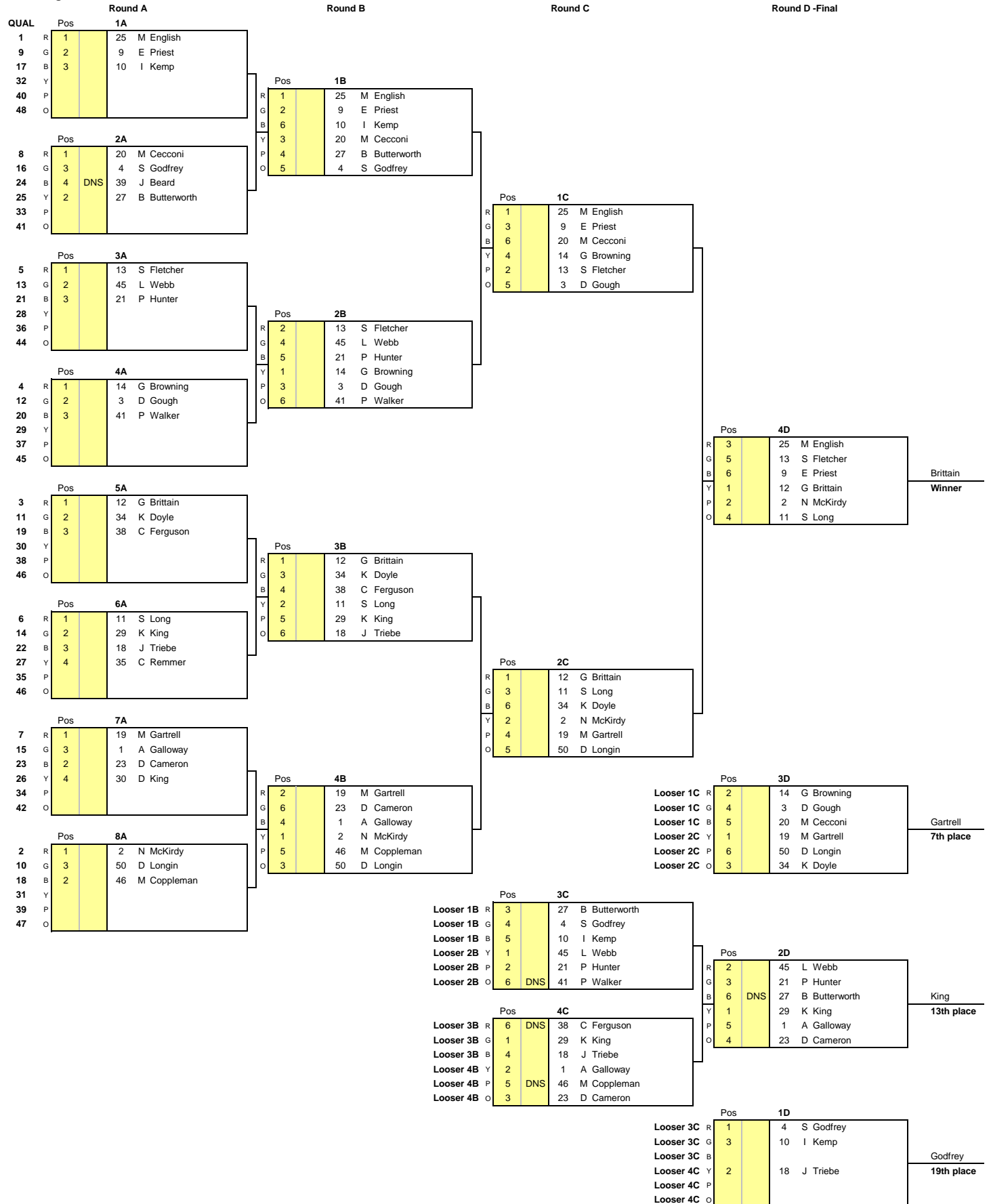
Round A			Round B - Final			
<b>QUAL</b>	<b>Pos</b>	<b>1A</b>	<b>Pos</b>	<b>2B</b>		
1	R	6   DNS   19 M Gartrell	R	6   34 K Doyle		
3	G	2   3 D Gough	G	5   3 D Gough		
5	B	3   38 C Ferguson	B	4   38 C Ferguson		
8	Y	1   34 K Doyle	Y	1   25 M English		English
10	P	4   8 T Schmid	P	2   12 G Brittain		<b>Winner</b>
12	O	5   6 C Hancock	O	3   2 N McKirby		
		<b>Pos</b>		<b>1B</b>		
2	R	2   12 G Brittain	R	2   8 T Schmid		
4	G	1   25 M English	G	1   6 C Hancock		
6	B	4   11 S Long	B	5   11 S Long		Hancock
7	Y	3   2 N McKirby	Y	4   23 D Cameron		<b>7th place</b>
9	P	6   4 S Godfrey	P	4   4 S Godfrey		
11	O	5   23 D Cameron	O	3   4 S Godfrey		

**International Gravity Sports Association**

**Event:** Noosa Pro Am  
**Location:** Tewantin, Australia  
**Date:** September 27, 2015  
**Event Level:** Australian National Championships  
**Weather:** Cloudy and Cool

**Promoter:** Brisbane Street Luge  
**Chief Steward:** Tyler Johnson  
**Starter:** Josh Brailly  
**Track Conditions:** Dry  
**Course Length:** 2.0 km (1.2mi)

**Street Luge**



**International Gravity Sports Association**

**Event:** Noosa Pro Am  
**Location:** Tewantin, Australia  
**Date:** September 27, 2015  
**Event Level:** Australian National Championships  
**Weather:** Cloudy and Cool

**Promoter:** Brisbane Street Luge  
**Chief Steward:** Tyler Johnson  
**Starter:** Josh Brailly  
**Track Conditions:** Dry  
**Course Length:** 2.0 km (1.2mi)

**Junior 1 Downhill Skateboard**

QUAL	No.	Surname	First Name	Heat #1	Heat #2	Heat #3	Total Points	Pos
1	42	Wilson	Finlay	1	1	1	3	1
2	31	Bonser	Zane	2	2	2	6	2
3	33	Young	Riley	3	3	3	9	3
4	48	Bloemendal	Tom	4	4	4	12	4
5	52	Davidson	Tom	5	5	5	15	5
6	51	Campbell	Morgan	6	6	6	18	6

**Junior 2 Downhill Skateboard**

QUAL	No.	Surname	First Name	Heat #1	Heat #2	Heat #3	Total Points	Pos
1	44	Leslie	Patrick	1	1	1	3	1
2	32	Young	Bryn	2	2	2	6	2

**Gravity Bike**

QUAL	No.	Surname	First Name	Heat #1	Heat #2	Heat #3	Total Points	Pos
1	35	Remmer	Clive	1	1	1	3	1
2	15	King	Maurie	3	3	3	9	3
3	37	Graham	John	2	2	2	6	2